




Shut-off and control technology



A line of ball valves and ideas



 2-way ball valves	5
• with threaded connector	6
• with removable centre	32
• with automatic pressure relief	35
• with additional miniature test point outlet	35
• as combination	36
• with spring-return and integrated check valve	38
• for support cylinder control	40
• with integrated, pilot-operated check valve	
• without check valve	
• with flange connection	42
• with ISO-flange connection (SAE)	42
• with DIN-flange connection	54
• with welding-end	60
• with removable centre	62
• with staple-lock connector	64
• for manifold mounting	66
• for manifold insertion as cartridge type	68



2-way ball valves



with threaded connector



with flange connection



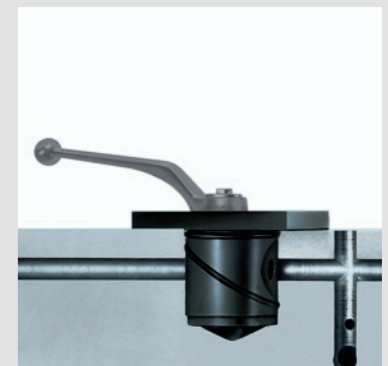
with welding-end



with staple-lock connector



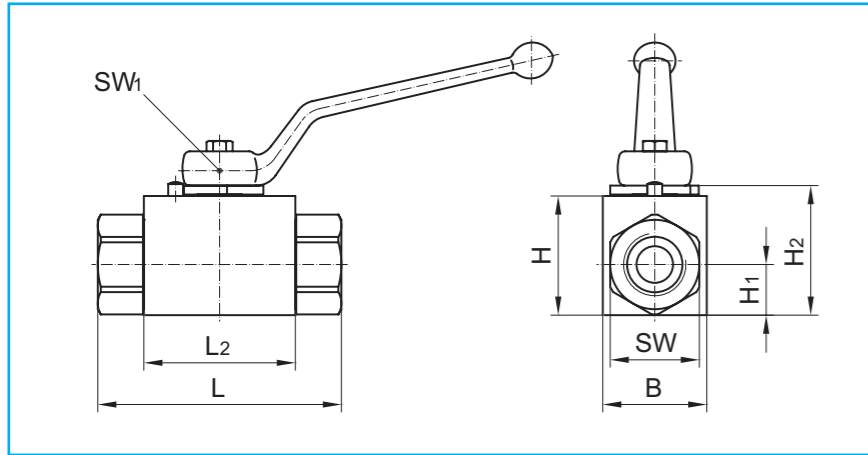
for manifold mounting



for manifold insertion
as cartridge type

2-way ball valves with threaded connector

Steel · DN 4 - DN 40/25



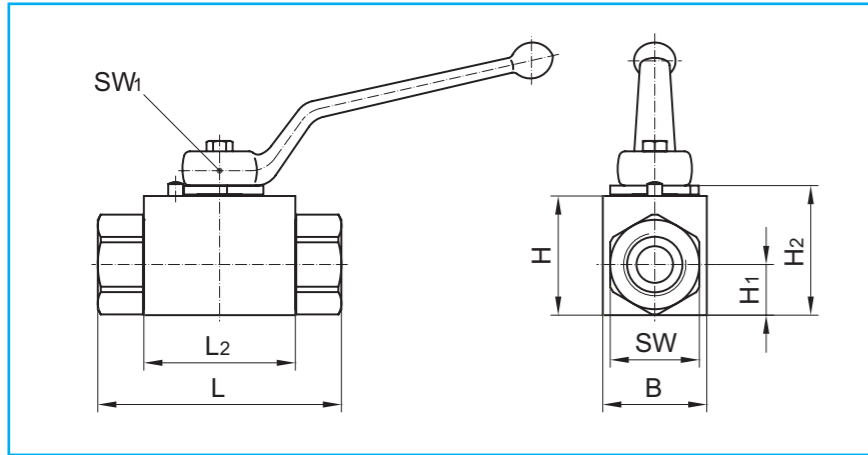
Handle included in delivery
 Please check pressure rating of the pipe fittings!
 For actuators and handles refer to "Attachments, accessories"
 Custom orders on request
 All dimensions subject to change without notice
 Dimensions in mm
 Weight in kg
 Pressure in bar

Body:	steel, black oxide	steel, black oxide	steel, black oxide	steel, black oxide
Ball:	steel, hard chrome plated	steel, hard chrome plated	steel, hard chrome plated	steel, hard chrome plated
Stem:	steel, zinc plated	steel, zinc plated	steel, zinc plated	steel, zinc plated
Ball seals:	POM	POM	PTFE-Comp.3	metal
Stem seals:	NBR	FKM	FKM	FKM

Connection	DN	Thread D	OD	L	L1	L2	B	H	H1	H2	SW	SW1	Handle Code	Weight	DN	PN		PN		PN		PN	
																Article-No.	Article-No.	Article-No.	Article-No.	Article-No.	Article-No.		
For cut (clamp) ring tube fittings DIN 2353 light series ISO 8434-1	4	M12 x 1,5	6	67	10	36	20	25	10,0	27,5	19	7	12	0,20	4	500	100 001	500	100 051	315	100 671	500	101 401
	6	M14 x 1,5	8	67	10	36	20	25	10,0	27,5	19	7	12	0,20	6	500	100 002	500	100 052	315	100 672	500	101 402
	8	M16 x 1,5	10	75	11	45	30	35	14,5	38,5	24	8	13	0,42	8	500	100 003	500	100 053	315	100 673	500	101 403
	10	M18 x 1,5	12	75	11	45	30	35	14,5	38,5	24	8	13	0,42	10	500	100 004	500	100 054	315	100 674	500	101 404
	12	M22 x 1,5	15	83	12	51	35	40	17,0	43,5	30	10	14	0,63	12	500	100 005	500	100 055	315	100 675	500	101 405
	16	M26 x 1,5	18	82	12	50	45	45	20,0	48,5	36	10	14	0,85	16	420	100 006	420	100 056	315	100 676	420	101 406
	20	M30 x 2	22	99	14	60	45	55	24,0	59,0	41	14	15	1,21	20	420	100 007	420	100 057	250	100 677	420	101 407
	25	M36 x 2	28	108	14	70	55	60	26,0	64,0	50	14	15	1,75	25	420	100 008	420	100 058	250	100 678	420	101 408
	32/25	M45 x 2	35	116	16	70	55	60	26,0	64,0	50	14	15	1,88	32/25	420	100 037	420	100 087	250	100 842	420	101 409
	40/25	M52 x 2	42	121	16	70	55	60	26,0	64,0	55	14	15	2,05	40/25	420	100 038	420	100 088	250	100 843	420	101 410
For cut (clamp) ring tube fittings DIN 2353 heavy series ISO 8434-1	4	M16 x 1,5	8	73	12	36	20	25	10,0	27,5	19	7	12	0,22	4	500	100 009	500	100 059	315	100 679	500	101 411
	6	M18 x 1,5	10	73	12	36	20	25	10,0	27,5	19	7	12	0,22	6	500	100 010	500	100 060	315	100 680	500	101 412
	8	M20 x 1,5	12	77	12	45	30	35	14,5	38,5	24	8	13	0,43	8	500	100 011	500	100 061	315	100 681	500	101 413
	10	M22 x 1,5	14	81	14	45	30	35	14,5	38,5	24	8	13	0,44	10	500	100 012	500	100 062	315	100 682	500	101 414
	12	M24 x 1,5	16	87	14	51	35	40	17,0	43,5	30	10	14	0,65	12	500	100 013	500	100 063	315	100 683	500	101 415
	16	M30 x 2	20	90	16	50	45	45	20,0	48,5	36	10	14	0,89	16	420	100 014	420	100 064	315	100 684	420	101 416
	20	M36 x 2	25	107	18	60	45	55	24,0	59,0	41	14	15	1,29	20	420	100 015	420	100 065	250	100 685	420	101 417
	25	M42 x 2	30	120	20	70	55	60	26,0	64,0	50	14	15	1,88	25	420	100 016	420	100 066	250	100 686	420	101 418
	32/25	M52 x 2	38	134	22	70	55	60	26,0	64,0	55	14	15	2,20	32/25	420	100 039	420	100 089	250	100 844	420	101 419
	BSP-female thread DIN EN ISO 228-1	4	G 1/8	-	69	12	36	20	25	10,0	27,5	19	7	12	0,22	4	500	100 017	500	100 067	315	100 687	500
6		G 1/4	-	69	12	36	20	25	10,0	27,5	19	7	12	0,21	6	500	100 018	500	100 068	315	100 688	500	101 421
10		G 3/8	-	73	14	45	30	35	14,5	38,5	24	8	13	0,43	10	500	100 019	500	100 069	315	100 689	500	101 422
12		G 1/2	-	82	15	51	35	40	17,0	43,5	30	10	14	0,67	12	500	100 020	500	100 070	315	100 690	500	101 423
16		G 5/8	-	88	18	50	45	45	20,0	48,5	36	10	14	0,97	16	420	100 021	420	100 071	315	100 691	420	101 424
20		G 3/4	-	93	18	60	45	55	24,0	59,0	41	14	15	1,28	20	420	100 022	420	100 072	250	100 692	420	101 425
25		G 1	-	115	18	70	55	60	26,0	64,0	50	14	15	2,00	25	420	100 023	420	100 073	250	100 693	420	101 426
32/25		G 1 1/4	-	134	20	70	55	60	26,0	64,0	50	14	15	2,05	32/25	420	100 047	420	100 097	250	100 845	420	101 427
40/25		G 1 1/2	-	139	22	70	55	60	26,0	64,0	55	14	15	2,20	40/25	420	100 048	420	100 098	250	100 846	420	101 428
NPT-female thread ANSI/ASME B1.20.1-1983		4	1/8 - 27 NPT	-	69	6,9	36	20	25	10,0	27,5	19	7	12	0,22	4	500	100 024	500	100 074	315	100 694	500
	6	1/4 - 18 NPT	-	69	10,0	36	20	25	10,0	27,5	19	7	12	0,21	6	500	100 025	500	100 075	315	100 695	500	101 430
	10	3/8 - 18 NPT	-	73	10,3	45	30	35	14,5	38,5	24	8	13	0,43	10	500	100 026	500	100 076	315	100 696	500	101 431
	12	1/2 - 14 NPT	-	82	13,6	51	35	40	17,0	43,5	30	10	14	0,67	12	500	100 027	500	100 077	315	100 697	500	101 432
	20	3/4 - 14 NPT	-	93	14,1	60	45	55	24,0	59,0	41	14	15	1,30	20	420	100 028	420	100 078	250	100 698	420	101 433
	25	1 - 11 1/2 NPT	-	115	16,8	70	55	60	26,0	64,0	50	14	15	2,00	25	420	100 029	420	100 079	250	100 699	420	101 434
	32/25	1 1/4 - 11 1/2 NPT	-	134	17,3	70	55	60	26,0	64,0	50	14	15	2,05	32/25	420	100 049	420	100 099	250	100 847	420	101 435
	40/25	1 1/2 - 11 1/2 NPT	-	139	17,3	70	55	60	26,0	64,0	55	14	15	2,44	40/25	420	100 050	420	100 100	250	100 848	420	101 436

2-way ball valves with threaded connector

Steel · DN 4 - DN 25



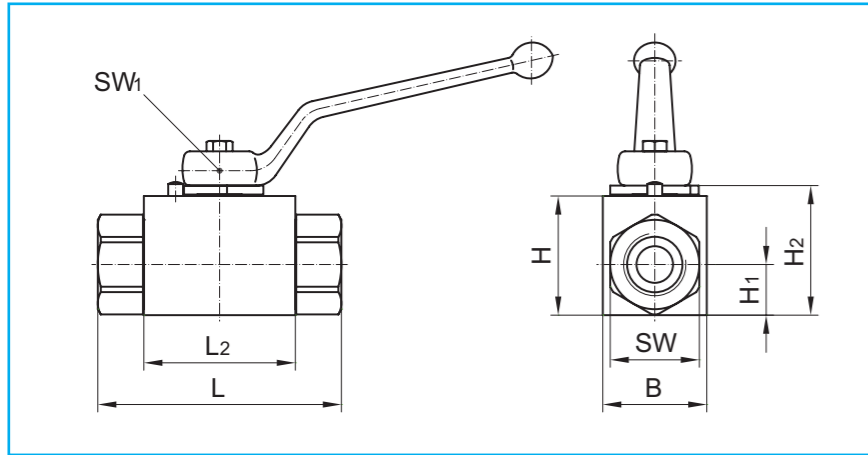
Handle included in delivery
 Please check pressure rating of the pipe fittings!
 For actuators and handles refer to "Attachments, accessories"
 Custom orders on request
 All dimensions subject to change without notice
 Dimensions in mm
 Weight in kg
 Pressure in bar

Body:	steel, black oxide	steel, black oxide	steel, black oxide
Ball:	steel, hard chrome plated	steel, hard chrome plated	steel, hard chrome plated
Stem:	steel, zinc plated	steel, zinc plated	steel, zinc plated
Ball seals:	POM	POM	PTFE-Comp.3
Stem seals:	NBR	FKM	FKM

Connection	DN	Thread D	OD	L	L ₁	L ₂	B	H	H ₁	H ₂	SW	SW ₁	Handle Code	Weight	DN	PN	Article-No.	PN	Article-No.	PN	Article-No.
For cut (clamp) ring tube fittings with ball lining DIN 7601 DIN 3863	4	M12 x 1,5	6	67	10	36	20	25	10,0	27,5	19	7	12	0,20	4	500	100 475	500	100 483	315	100 491
	6	M14 x 1,5	8	67	10	36	20	25	10,0	27,5	19	7	12	0,20	6	500	100 476	500	100 484	315	100 492
	8	M16 x 1,5	10	75	11	45	30	35	14,5	38,5	24	8	13	0,42	8	500	100 477	500	100 485	315	100 493
	10	M18 x 1,5	12	75	11	45	30	35	14,5	38,5	24	8	13	0,42	10	500	100 478	500	100 486	315	100 494
	12	M22 x 1,5	15	83	12	51	35	40	17,0	43,5	30	10	14	0,63	12	500	100 479	500	100 487	315	100 495
	16	M26 x 1,5	18	82	12	50	45	45	20,0	48,5	36	10	14	0,85	16	420	100 480	420	100 488	315	100 496
	20	M30 x 1,5	22	99	14	60	45	55	24,0	59,0	41	14	15	1,21	20	420	100 481	420	100 489	250	100 497
	25	M38 x 1,5	28	108	14	70	55	60	26,0	64,0	50	14	15	1,75	25	420	100 482	420	100 490	250	100 498
NPT-male thread ANSI/ASME B1.20.1-1983	4	1/8 - 27 NPT	-	67	10,0	36	20	25	10,0	27,5	19	7	12	0,20	4	500	100 613	500	100 619	315	100 625
	6	1/4 - 18 NPT	-	77	15,1	36	20	25	10,0	27,5	19	7	12	0,22	6	500	100 614	500	100 620	315	100 626
	8	3/8 - 18 NPT	-	85	15,3	45	30	35	14,5	38,5	24	8	13	0,45	8	500	100 615	500	100 621	315	100 627
	10	1/2 - 14 NPT	-	93	19,9	45	30	35	14,5	38,5	24	8	13	0,50	10	500	100 616	500	100 622	315	100 628
	16	3/4 - 14 NPT	-	99	20,2	50	45	45	20,0	48,5	36	10	14	0,90	16	420	100 617	420	100 623	250	100 629
	20	1 - 11 1/2 NPT	-	121	25,0	60	45	55	24,0	59,0	41	14	15	1,30	20	420	100 618	420	100 624	250	100 630
	25	1 1/4 - 11 1/2 NPT	-	131	25,6	70	55	60	26,0	64,0	50	14	15	1,80	25	420	100 647	420	100 648	250	100 649
BSP-male thread (flat seal) DIN EN ISO 228-1	4	G 1/8 A	-	67	10	36	20	25	10,0	27,5	19	7	12	0,20	4	500	100 631	500	100 639	315	100 663
	6	G 1/4 A	-	69	11	36	20	25	10,0	27,5	19	7	12	0,20	6	500	100 632	500	100 640	315	100 664
	8	G 3/8 A	-	77	12	45	30	35	14,5	38,5	24	8	13	0,42	8	500	100 633	500	100 641	315	100 665
	10	G 1/2 A	-	77	12	45	30	35	14,5	38,5	24	8	13	0,42	10	500	100 634	500	100 642	315	100 666
	12	G 5/8 A	-	83	12	51	35	40	17,0	43,5	30	10	14	0,63	12	500	100 635	500	100 643	315	100 667
	16	G 3/4 A	-	86	14	50	45	45	20,0	48,5	36	10	14	0,85	16	420	100 636	420	100 644	315	100 668
	20	G 1 A	-	103	16	60	45	55	24,0	59,0	41	14	15	1,22	20	420	100 637	420	100 645	250	100 669
	25	G 1 1/4 A	-	116	18	70	55	60	26,0	64,0	50	14	15	1,86	25	420	100 638	420	100 646	250	100 670
Female thread ISO 11926-1	6	7/16-20 UNF - 2B	-	69	11,7	36	20	25	10,0	27,5	22	7	12	0,22	6	500	100 031	500	100 081	315	100 041
	10	9/16-18 UNF - 2B	-	73	12,7	45	30	35	14,5	38,5	27	8	13	0,43	10	500	100 032	500	100 082	315	100 042
	12	3/4-16 UNF - 2B	-	82	14,5	51	35	40	17,0	43,5	30	10	14	0,67	12	500	100 033	500	100 083	315	100 043
	20	1 1/16-12 UN - 2B	-	93	19,0	60	45	55	24,0	59,0	41	14	15	1,28	20	420	100 035	420	100 085	315	100 045
	25	1 5/16-12 UN - 2B	-	115	19,0	70	55	60	26,0	64,0	50	14	15	2,00	25	420	100 036	420	100 086	315	100 046

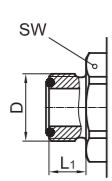
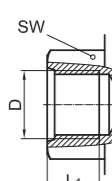
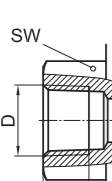
2-way ball valves with threaded connector

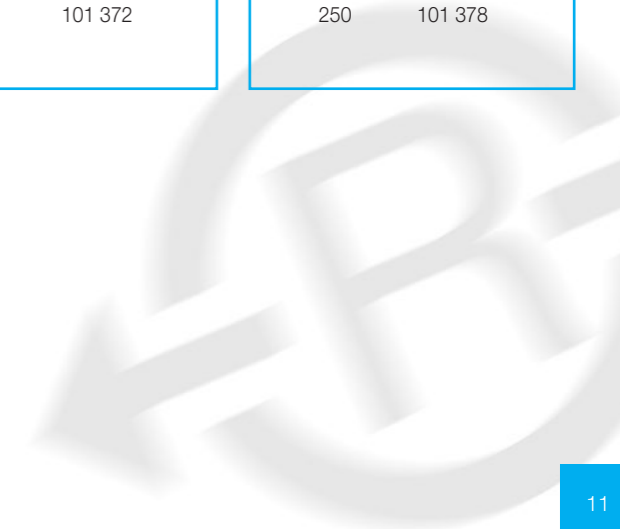
Steel · DN 4 - DN 25



*) included in delivery
 Handle included in delivery
 Please check pressure rating of the pipe fittings!
 For actuators and handles refer to "Attachments, accessories"
 Custom orders on request
 All dimensions subject to change without notice
 Dimensions in mm
 Weight in kg
 Pressure in bar

Body:	steel, black oxide	steel, black oxide	steel, black oxide
Ball:	steel, hard chrome plated	steel, hard chrome plated	steel, hard chrome plated
Stem:	steel, zinc plated	steel, zinc plated	steel, zinc plated
Ball seals:	POM	POM	PTFE-Comp.3
Stem seals:	NBR	FKM	FKM

Connection	DN	Thread D	L	L1	L2	B	H	H1	H2	SW	SW1	Handle Code	O-Ring	Weight	DN	PN	Article-No.	PN	Article-No.	PN	Article-No.
Male thread ISO 8434-3 	6	9/16-18 UNF	67	10,0	36	20	25	10,0	27,5	19	7	12	7,65 x 1,78'	0,20	6	500	101 111	500	101 121	315	101 131
	8	1 1/16-16 UN	75	11,0	45	30	35	14,5	38,5	24	8	13	9,25 x 1,78'	0,42	8	500	101 112	500	101 122	315	101 132
	10	1 3/16-16 UN	79	13,0	45	30	35	14,5	38,5	24	8	13	12,42 x 1,78'	0,44	10	500	101 113	500	101 123	315	101 133
	12	1-14 UNS	90	15,5	51	35	40	17,0	43,5	30	10	14	15,60 x 1,78'	0,65	12	500	101 114	500	101 124	315	101 134
	16	1 3/16-12 UN	92	17,0	50	45	45	20,0	48,5	36	10	14	18,77 x 1,78'	0,90	16	420	101 115	420	101 125	315	101 135
	20	1 7/16-12 UN	106	17,5	60	45	55	24,0	59,0	41	14	15	23,52 x 1,78'	1,22	20	420	101 116	420	101 126	250	101 136
	25	1 11/16-12 UN	115	17,5	70	55	60	26,0	64,0	50	14	15	29,87 x 1,78'	1,80	25	420	101 117	420	101 127	250	101 137
Female thread ISO 6149-1 	4	M10 x 1,0	69	10,0	36	20	25	10,0	27,5	19	7	12	-	0,22	4	500	101 141	500	101 151	315	101 161
	6	M12 x 1,5	69	11,5	36	20	25	10,0	27,5	19	7	12	-	0,21	6	500	101 142	500	101 152	315	101 162
	8	M14 x 1,5	73	11,5	45	30	35	14,5	38,5	24	8	13	-	0,44	8	500	101 143	500	101 153	315	101 163
	10	M16 x 1,5	73	13,0	45	30	35	14,5	38,5	24	8	13	-	0,43	10	500	101 144	500	101 154	315	101 164
	12	M18 x 1,5	82	14,5	51	35	40	17,0	43,5	30	10	14	-	0,67	12	500	101 145	500	101 155	315	101 165
	16	M22 x 1,5	88	15,5	50	45	45	20,0	48,5	36	10	14	-	0,97	16	420	101 146	420	101 156	315	101 166
	20	M27 x 2	93	19,0	60	45	55	24,0	59,0	41	14	15	-	1,28	20	420	101 147	420	101 157	250	101 167
	25	M33 x 2	115	19,0	70	55	60	26,0	64,0	50	14	15	-	2,00	25	420	101 148	420	101 158	250	101 168
BSPT-female thread ISO 7-1 	4	Rc 1/8	69	6,5	36	20	25	10,0	27,5	19	7	12	-	0,22	4	500	101 361	500	101 367	315	101 373
	6	Rc 1/4	69	9,7	36	20	25	10,0	27,5	19	7	12	-	0,21	6	500	101 362	500	101 368	315	101 374
	10	Rc 3/8	72	10,1	45	30	35	14,5	38,5	24	8	13	-	0,39	10	500	101 363	500	101 369	315	101 375
	12	Rc 1/2	83	13,2	51	35	40	17,0	43,5	30	10	14	-	0,71	12	500	101 364	500	101 370	315	101 376
	20	Rc 3/4	95	14,5	60	45	55	24,0	59,0	41	14	15	-	1,30	20	420	101 365	420	101 371	250	101 377
	25	Rc 1	113	16,8	70	55	60	26,0	64,0	50	14	15	-	2,00	25	420	101 366	420	101 372	250	101 378



2-way ball valves with threaded connector

Stainless steel · DN 4 - DN 25

NEW!

Handle included in delivery. Please check pressure rating of the pipe fittings!

For actuators and handles refer to "Attachments, accessories"

Stainless steel (material No.1.4571 - or other stainless steels)

Custom orders on request

Also available with most other connections

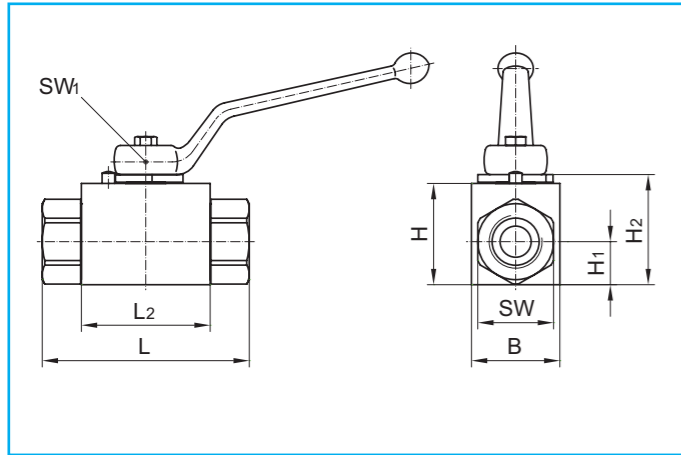
All dimensions subject to change without notice

Dimensions in mm

Weight in kg

Pressure in bar

Body:	stainless steel	stainless steel
Ball:	stainless steel	stainless steel
Stem:	stainless steel	stainless steel
Ball seals:	POM	PTFE-Comp.3
Stem seals:	FKM	FKM
Handle:	zinc, die cast	zinc, die cast
Stop plate:	steel, zinc plated	steel, zinc plated



Connection	DN	Thread D	OD	L	L ₁	L ₂	B	H	H ₁	SW	SW ₁	Handle Code	H ₂	Weight	DN	PN	Article-No.	PN	Article-No.	
For cut (clamp) ring tube fitting DIN 2353 light series ISO 8434-1	4	M12 x 1,5	6	67	10	36	20	25	10,0	19	7	12	27,5	0,20	4	500	109400	315	109460	
	6	M14 x 1,5	8	67	10	36	20	25	10,0	19	7	12	27,5	0,20	6	500	109401	315	109461	
	8	M16 x 1,5	10	75	11	45	30	35	14,5	24	8	13	38,5	0,42	8	500	109402	315	109462	
	10	M18 x 1,5	12	75	11	45	30	35	14,5	24	8	13	38,5	0,42	10	500	109403	315	109463	
	12	M22 x 1,5	15	83	12	51	35	40	17,0	30	10	14	43,5	0,63	12	500	109404	315	109464	
	16	M26 x 1,5	18	99	12	60	45	55	24,0	41	14	15	59,0	1,19	16	420	109405	250	109465	
	20	M30 x 2	22	99	14	60	45	55	24,0	41	14	15	59,0	1,21	20	420	109406	250	109466	
25	M36 x 2	28	108	14	70	55	60	26,0	50	14	15	64,0	1,75	25	420	109407	250	109467		
For cut (clamp) ring tube fittings DIN 2353 heavy series ISO 8434-1	4	M16 x 1,5	8	73	12	36	20	25	10,0	19	7	12	27,5	0,22	4	500	109408	315	109468	
	6	M18 x 1,5	10	73	12	36	20	25	10,0	19	7	12	27,5	0,22	6	500	109409	315	109469	
	8	M20 x 1,5	12	77	12	45	30	35	14,5	24	8	13	38,5	0,43	8	500	109410	315	109470	
	10	M22 x 1,5	14	81	14	45	30	35	14,5	24	8	13	38,5	0,44	10	500	109411	315	109471	
	12	M24 x 1,5	16	87	14	51	35	40	17,0	30	10	14	43,5	0,65	12	500	109412	315	109472	
	16	M30 x 2	20	107	16	60	45	55	24,0	41	14	15	59,0	1,27	16	420	109413	250	109473	
	20	M36 x 2	25	107	18	60	45	55	24,0	41	14	15	59,0	1,29	20	420	109414	250	109474	
25	M42 x 2	30	120	20	70	55	60	26,0	50	14	15	64,0	1,88	25	420	109415	250	109475		
BSP-female thread DIN EN ISO 228-1	4	G 1/8	-	69	12	36	20	25	10,0	19	7	12	27,5	0,22	4	500	109416	315	109476	
	6	G 1/4	-	69	12	36	20	25	10,0	19	7	12	27,5	0,21	6	500	109417	315	109477	
	10	G 3/8	-	73	14	45	30	35	14,5	24	8	13	38,5	0,43	10	500	109418	315	109478	
	12	G 1/2	-	82	15	51	35	40	17,0	30	10	14	43,5	0,67	12	500	109419	315	109479	
	16	G 5/8	-	93	18	60	45	55	24,0	41	14	15	59,0	1,30	16	420	109420	250	109480	
	20	G 3/4	-	93	18	60	45	55	24,0	41	14	15	59,0	1,28	20	420	109421	250	109481	
25	G 1	-	115	18	70	55	60	26,0	50	14	15	64,0	1,97	25	420	109422	250	109482		
NPT-female thread ANSI/ASME B1.20.1-1983	4	1/8 - 27	NPT	-	69	6,9	36	20	25	10,0	19	7	12	27,5	0,22	4	500	109423	315	109483
	6	1/4 - 18	NPT	-	69	10,0	36	20	25	10,0	19	7	12	27,5	0,21	6	500	109424	315	109484
	10	3/8 - 18	NPT	-	73	10,3	45	30	35	14,5	24	8	13	38,5	0,43	10	500	109425	315	109485
	12	1/2 - 14	NPT	-	82	13,6	51	35	40	17,0	30	10	14	43,5	0,67	12	500	109426	315	109486
	20	3/4 - 14	NPT	-	93	14,1	60	45	55	24,0	41	14	15	59,0	1,28	20	420	109427	250	109487
	25	1 - 11 1/2	NPT	-	115	16,8	70	55	60	26,0	50	14	15	64,0	1,97	25	420	109428	250	109488



2-way ball valves with threaded connector

Stainless steel · DN 4 - DN 25

NEW!

Handle included in delivery. Please check pressure rating of the pipe fittings!

For actuators and handles refer to "Attachments, accessories"

Stainless steel (material No.1.4571 - or other stainless steels)

Custom orders on request

Also available with most other connections

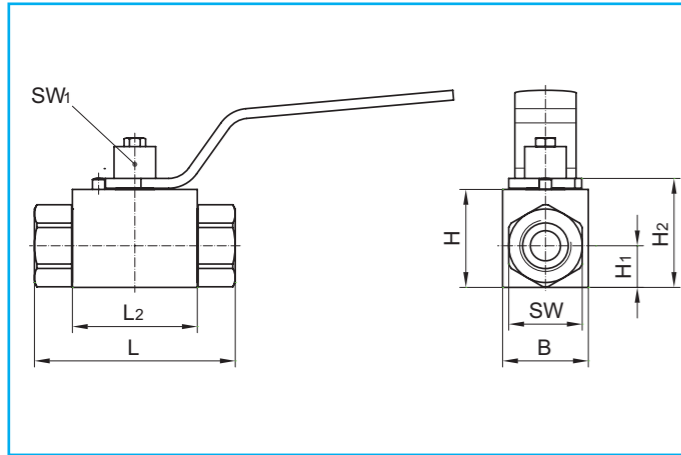
All dimensions subject to change without notice

Dimensions in mm

Weight in kg

Pressure in bar

Body:	stainless steel	stainless steel
Ball:	stainless steel	stainless steel
Stem:	stainless steel	stainless steel
Ball seals:	POM	PTFE-Comp.3
Stem seals:	FKM	FKM
Handle:	stainless steel	stainless steel
Stop plate:	stainless steel	stainless steel

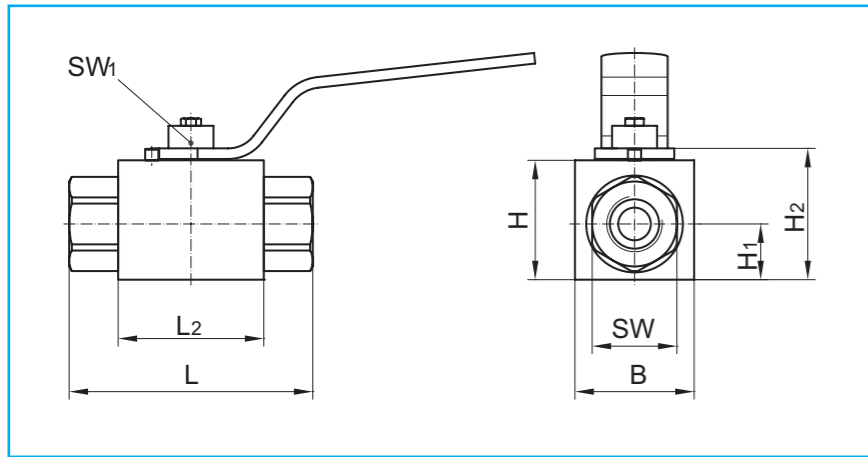


Connection	DN	Thread D	OD	L	L1	L2	B	H	H1	SW	SW1	Handle Code	H2	Weight	DN	PN	Article-No.	PN	Article-No.	
For cut (clamp) ring tube fitting DIN 2353 light series ISO 8434-1	4	M12 x 1,5	6	67	10	36	20	25	10,0	19	7	32	29,5	0,20	4	500	109490	315	109430	
	6	M14 x 1,5	8	67	10	36	20	25	10,0	19	7	32	29,5	0,20	6	500	109491	315	109431	
	8	M16 x 1,5	10	75	11	45	30	35	14,5	24	8	33	39,5	0,42	8	500	109492	315	109432	
	10	M18 x 1,5	12	75	11	45	30	35	14,5	24	8	33	39,5	0,42	10	500	109493	315	109433	
	12	M22 x 1,5	15	83	12	51	35	40	17,0	30	10	34	44,5	0,63	12	500	109494	315	109434	
	16	M26 x 1,5	18	99	12	60	45	55	24,0	41	14	35	60,5	1,19	16	420	109495	250	109435	
	20	M30 x 2	22	99	14	60	45	55	24,0	41	14	35	60,5	1,21	20	420	109496	250	109436	
25	M36 x 2	28	108	14	70	55	60	26,0	50	14	35	65,5	1,75	25	420	109497	250	109437		
For cut (clamp) ring tube fittings DIN 2353 heavy series ISO 8434-1	4	M16 x 1,5	8	73	12	36	20	25	10,0	19	7	32	29,5	0,22	4	500	109498	315	109438	
	6	M18 x 1,5	10	73	12	36	20	25	10,0	19	7	32	29,5	0,22	6	500	109499	315	109439	
	8	M20 x 1,5	12	77	12	45	30	35	14,5	24	8	33	39,5	0,43	8	500	109500	315	109440	
	10	M22 x 1,5	14	81	14	45	30	35	14,5	24	8	33	39,5	0,44	10	500	109501	315	109441	
	12	M24 x 1,5	16	87	14	51	35	40	17,0	30	10	34	44,5	0,65	12	500	109502	315	109442	
	16	M30 x 2	20	107	16	60	45	55	24,0	41	14	35	60,5	1,27	16	420	109503	250	109443	
	20	M36 x 2	25	107	18	60	45	55	24,0	41	14	35	60,5	1,29	20	420	109504	250	109444	
25	M42 x 2	30	120	20	70	55	60	26,0	50	14	35	65,5	1,88	25	420	109505	250	109445		
BSP-female thread DIN EN ISO 228-1	4	G 1/8	-	69	12	36	20	25	10,0	19	7	32	29,5	0,22	4	500	700091	315	109446	
	6	G 1/4	-	69	12	36	20	25	10,0	19	7	32	29,5	0,21	6	500	700092	315	109447	
	10	G 3/8	-	73	14	45	30	35	14,5	24	8	33	39,5	0,43	10	500	700093	315	109448	
	12	G 1/2	-	82	15	51	35	40	17,0	30	10	34	44,5	0,67	12	500	700094	315	109449	
	16	G 5/8	-	93	18	60	45	55	24,0	41	14	35	60,5	1,30	16	420	700095	250	109450	
	20	G 3/4	-	93	18	60	45	55	24,0	41	14	35	60,5	1,28	20	420	700096	250	109451	
NPT-female thread ANSI/ASME B1.20.1-1983	4	1/8 - 27	NPT	-	69	6,9	36	20	25	10,0	19	7	32	29,5	0,22	4	500	700100	315	109453
	6	1/4 - 18	NPT	-	69	10,0	36	20	25	10,0	19	7	32	29,5	0,21	6	500	700101	315	109454
	10	3/8 - 18	NPT	-	73	10,3	45	30	35	14,5	24	8	33	39,5	0,43	10	500	700102	315	109455
	12	1/2 - 14	NPT	-	82	13,6	51	35	40	17,0	30	10	34	44,5	0,67	12	500	700103	315	109456
	20	3/4 - 14	NPT	-	93	14,1	60	45	55	24,0	41	14	35	60,5	1,28	20	420	700104	250	109457
	25	1 - 11 1/2	NPT	-	115	16,8	70	55	60	26,0	50	14	35	65,5	1,97	25	420	700105	250	109458



2-way ball valves with threaded connector

Stainless steel · DN 4 - DN 25 · 630 bar



Handle included in delivery
 Please check pressure rating of the pipe fittings!
 For actuators and handles refer to "Attachments, accessories"
 Stainless steel (material no. 1.4571 - or other stainless steels)
 Custom orders on request
 All dimensions subject to change without notice

Dimensions in mm
 Weight in kg
 Pressure in bar

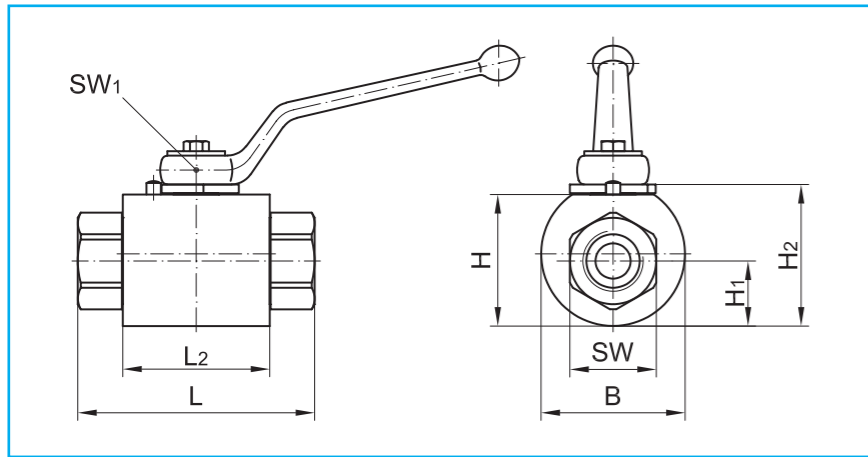
Body:	stainless steel
Ball:	stainless steel
Stem:	stainless steel
Ball seals:	PEEK
Stem seals:	FKM

Connection	DN	Thread D	OD	L	L ₁	L ₂	B	H	H ₁	H ₂	SW	SW ₁	Handle Code	Weight	DN	PN	Article-No.
For cut (clamp) ring tube fitting DIN 2353 light series ISO 8434-1	4	M12 x 1,5	6	73	10	41	30	30	13,7	34,5	22	7	32	0,38	4	630	101 309
	6	M14 x 1,5	8	73	10	41	30	30	13,7	34,5	22	7	32	0,41	6	630	101 310
	8	M16 x 1,5	10	87	11	53	40	40	18,0	44,5	30	8	33	0,82	8	630	101 311
	10	M18 x 1,5	12	87	11	53	40	40	18,0	44,5	30	8	33	0,82	10	630	101 312
	12	M22 x 1,5	15	91	12	55	45	45	21,0	49,5	32	10	34	1,03	12	630	101 313
	16	M26 x 1,5	18	101	12	65	65	65	31,0	70,5	46	14	35	2,45	16	630	109 124
For cut (clamp) ring tube fitting DIN 2353 heavy series ISO 8434-1	20	M30 x 2	22	105	14	65	65	65	31,0	70,5	46	14	35	2,50	20	630	109 102
	25	M36 x 2	28	112	14	71	75	75	38,0	80,5	50	14	35	3,07	25	630	109 103
	4	M16 x 1,5	8	76	12	41	30	30	13,7	34,5	22	7	32	0,40	4	630	101 317
	6	M18 x 1,5	10	76	12	41	30	30	13,7	34,5	22	7	32	0,40	6	630	101 318
	8	M20 x 1,5	12	89	12	53	40	40	18,0	44,5	30	8	33	0,85	8	630	101 319
	10	M22 x 1,5	14	93	14	53	40	40	18,0	44,5	30	8	33	0,85	10	630	101 320
BSP-female thread DIN EN ISO 228-1	12	M24 x 1,5	16	96	14	55	45	45	21,0	49,5	32	10	34	1,05	12	630	101 321
	16	M30 x 2	20	109	16	65	65	65	31,0	70,5	46	14	35	2,55	16	630	109 168
	20	M36 x 2	25	113	18	65	65	65	31,0	70,5	46	14	35	2,59	20	630	109 105
	25	M42 x 2	30	124	20	71	75	75	38,0	80,5	50	14	35	3,19	25	630	109 106
	4	G 1/8	-	69	11	41	30	30	13,7	34,5	22	7	32	0,42	4	630	101 325
	6	G 1/4	-	75	14	41	30	30	13,7	34,5	22	7	32	0,42	6	630	101 326
NPT-female thread ANSI/ASME B1.20.1-1983	10	G 3/8	-	86	14	53	40	40	18,0	44,5	30	8	33	0,89	10	630	101 327
	12	G 1/2	-	92	16	55	45	45	21,0	49,5	32	10	34	1,10	12	630	101 328
	16	G 5/8	-	111	19	65	65	65	31,0	70,5	46	14	35	2,64	16	630	109 172
	20	G 3/4	-	111	20	65	65	65	31,0	70,5	46	14	35	2,69	20	630	109 108
	25	G 1	-	122	22	71	75	75	38,0	80,5	50	14	35	3,31	25	630	109 109
	4	1/8 - 27 NPT	-	82	6,9	41	30	30	13,7	34,5	22	7	32	0,44	4	630	101 332
6	1/4 - 18 NPT	-	82	10,0	41	30	30	13,7	34,5	22	7	32	0,44	6	630	101 333	
10	3/8 - 18 NPT	-	95	10,3	53	40	40	18,0	44,5	30	8	33	0,95	10	630	101 334	
12	1/2 - 14 NPT	-	108	13,6	55	45	45	21,0	49,5	32	10	34	1,19	12	630	101 335	
20	3/4 - 14 NPT	-	111	14,1	65	65	65	31,0	70,5	46	14	35	2,69	20	630	109 111	
25	1 - 11 1/2 NPT	-	122	16,8	71	75	75	38,0	80,5	50	14	35	3,31	25	630	109 112	



2-way ball valves with threaded connector

Steel/Stainless steel · DN 4 - DN 25 · 840 bar



Note: Use only with fluid media!

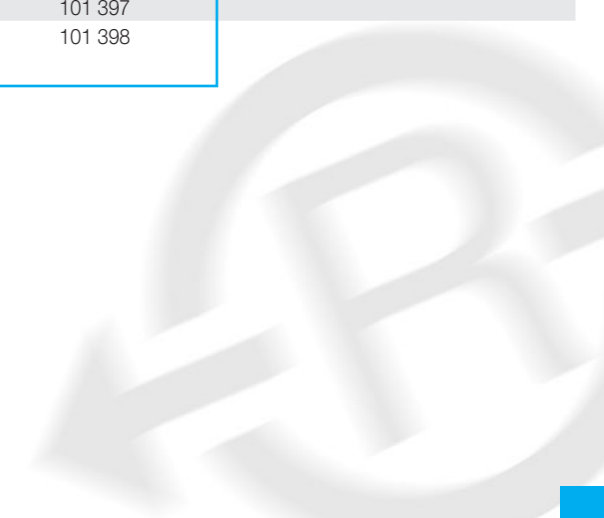
Handle included in delivery
 Please check pressure rating of the pipe fittings!
 For actuators and handles refer to "Attachments, accessories"
 Custom orders on request
 Also available with most other connections
 All dimensions subject to change without notice
 Dimensions in mm
 Weight in kg
 Pressure in bar

NEW!



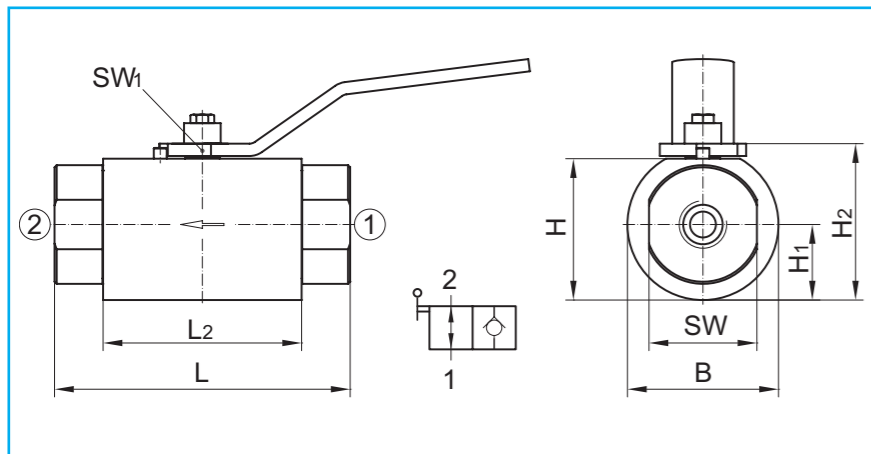
Body:	steel, black oxide	stainless steel
Ball:	steel, hard chrome plated	stainless steel
Stem:	steel, zinc plated	stainless steel
Ball seals:	PEEK	PEEK
Stem seals:	NBR	NBR

Connection	DN	Thread D	OD	L	L ₁	L ₂	B	H	H ₁	H ₂	SW	SW ₁	Handle Code	Weight	DN	PN	Article-No.	PN	Article-No.
For cut (clamp) ring tube fittings DIN 2353 heavy series ISO 8434-1	4	M16 x 1,5	8	114	12	67	65	62,5	30	66	41	10	19	1,84	4	840	101 338	840	101 380
	6	M18 x 1,5	10	114	12	67	65	62,5	30	66	41	10	19	1,86	6	840	101 339	840	101 381
	8	M20 x 1,5	12	114	12	67	65	62,5	30	66	41	10	19	1,89	8	840	101 340	840	101 382
	10	M22 x 1,5	14	118	14	67	65	62,5	30	66	41	10	19	1,96	10	840	101 341	840	101 383
	12	M24 x 1,5	16	118	14	67	65	62,5	30	66	41	10	19	1,98	12	840	101 342	840	101 384
	20	M36 x 2	25	156	18	90	108	102,0	51	106	70	14	20	6,60	20	840	101 343	840	101 385
25	M42 x 2	30	160	20	90	108	102,0	51	106	70	14	20	6,60	25	840	101 344	840	101 386	
BSP-female thread DIN EN ISO 228-1	4	G 1/8	-	90	11	67	65	62,5	30	66	41	10	19	1,82	4	840	101 345	840	101 387
	6	G 1/4	-	90	15	67	65	62,5	30	66	41	10	19	1,82	6	840	101 346	840	101 388
	10	G 3/8	-	90	15	67	65	62,5	30	66	41	10	19	1,84	10	840	101 347	840	101 389
	12	G 1/2	-	90	17	67	65	62,5	30	66	41	10	19	1,90	12	840	101 348	840	101 390
	20	G 3/4	-	120	19	90	108	102,0	51	106	70	14	20	6,50	20	840	101 349	840	101 391
	25	G 1	-	120	21	90	108	102,0	51	106	70	14	20	6,50	25	840	101 350	840	101 392
NPT-female thread ANSI/ASME B1.20.1-1983	4	1/8 - 27 NPT	-	90	6,9	67	65	62,5	30	66	41	10	19	1,82	4	840	101 351	840	101 393
	6	1/4 - 18 NPT	-	90	10,0	67	65	62,5	30	66	41	10	19	1,82	6	840	101 352	840	101 394
	10	3/8 - 18 NPT	-	90	10,3	67	65	62,5	30	66	41	10	19	1,84	10	840	101 353	840	101 395
	12	1/2 - 14 NPT	-	90	13,6	67	65	62,5	30	66	41	10	19	1,90	12	840	101 354	840	101 396
	20	3/4 - 14 NPT	-	120	14,1	90	108	102,0	51	106	70	14	20	6,50	20	840	101 355	840	101 397
	25	1 - 11 1/2 NPT	-	120	16,8	90	108	102,0	51	106	70	14	20	6,50	25	840	101 356	840	101 398



2-way ball valves with threaded connector

Stainless steel · DN 6 - DN 25 · Ultra-High Pressure



DN 6 - DN 12:
can be actuated up to 500 bar
differential pressure

DN 20 + DN 25:
can be actuated up to 400 bar
differential pressure

Unidirectional installation!
Note: Use only with fluid media!

*) Deviating from the standard:
longer connection thread

Handle included in delivery
Please check pressure rating of the pipe fittings!
For actuators and handles refer to "Attachments, accessories"
Custom orders on request
All dimensions subject to change without notice

Dimensions in mm
Weight in kg
Pressure in bar

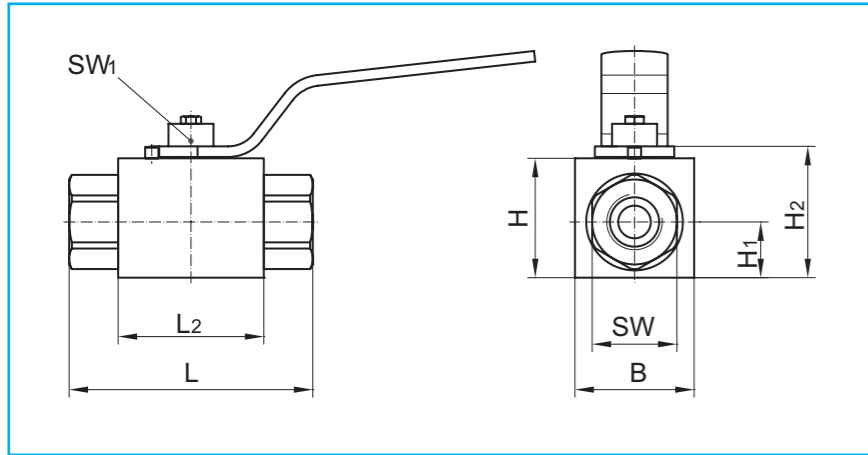
Body:	stainless steel
Ball:	stainless steel
Stem:	bronze
Ball seals:	PEEK
Stem seals:	FKM

Connection	DN	Thread D	OD	L	L ₁	L ₂	B	H	H ₁	H ₂	SW	SW ₁	Handle Code	Weight	DN	PN	Article-No.
For cut (clamp) ring tube fitting DIN 2353 heavy series ISO 8434-1	6	M18 x 1,5	10	144,0	18*	92	79	76	39,5	81	46	10	34	4,1	6	1500	100 900
	8	M20 x 1,5	12	144,0	18*	92	79	76	39,5	81	46	10	34	4,1	8	1500	100 901
	10	M22 x 1,5	14	150,0	21*	92	79	76	39,5	81	46	10	34	4,1	10	1500	100 902
	12	M24 x 1,5	16	150,0	21*	92	79	76	39,5	81	46	10	34	4,1	12	1500	100 903
	20	M36 x 2	25	178,5	23*	115	90	88	45,0	81	55	10	34	6,1	20	1400	100 994
	25	M42 x 2	30	202,0	25*	128	100	95	50,0	101	70	14	35	9,2	25	1000	100 991
BSP-female thread DIN EN ISO 228-1	6	G 1/4	-	108,0	12	92	79	76	39,5	81	46	10	34	4,1	6	1500	100 906
	10	G 3/8	-	120,0	14	92	79	76	39,5	81	46	10	34	4,2	10	1500	100 907
	12	G 1/2	-	137,0	16	92	79	76	39,5	81	46	10	34	4,4	12	1500	100 908
	20	G 3/4	-	132,5	19	115	90	88	45,0	81	55	10	34	5,8	20	1400	100 995
	25	G 1	-	152,5	21	128	99	95	47,5	101	70	14	35	8,7	25	1000	100 993



2-way ball valves with threaded connector

Aluminium · DN 4 - DN 25



Handle included in delivery
 Please check pressure rating of the pipe fittings!
 For actuators and handles refer to "Attachments, accessories".
 Stainless steel (material No.1.4571 - or other stainless steels)
 Custom orders on request
 Also available with most other connections
 All dimensions subject to change without notice

Dimensions in mm
 Weight in kg
 Pressure in bar

Overall length: female thread connector DIN 3202-4-M6/M9

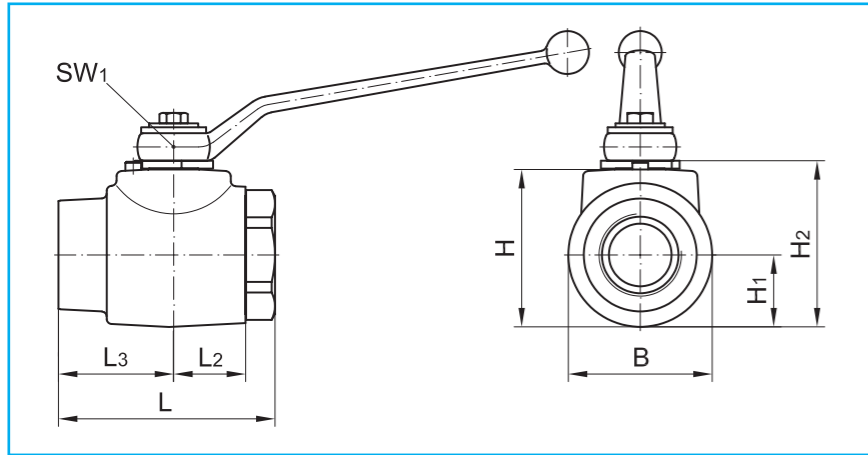
Body:	aluminium
Ball:	stainless steel
Stem:	stainless steel
Ball seals:	POM
Stem seals:	NBR

Connection	DN	Thread D	OD	L	L1	L2	B	H	H1	H2	SW	SW1	Handle Code	Weight	DN	PN	Article-No.
For cut (clamp) ring tube fitting DIN 2353 light series ISO 8434-1	4	M12 x 1,5	6	78	10	46,4	30	30	13,7	34,5	22	7	32	0,20	4	400	105 152
	6	M14 x 1,5	8	78	10	46,4	30	30	13,7	34,5	22	7	32	0,20	6	400	105 153
	8	M16 x 1,5	10	87	11	53,0	45	45	23,0	49,5	30	8	33	0,49	8	400	105 170
	10	M18 x 1,5	12	87	11	53,0	45	45	23,0	49,5	30	8	33	0,49	10	400	105 154
	12	M22 x 1,5	15	93	12	57,0	50	50	26,0	54,5	32	10	34	0,56	12	400	105 155
	20	M30 x 2	22	108	14	68,0	70	70	36,0	75,5	46	14	35	1,34	20	400	105 156
25	M36 x 2	28	114	14	73,0	80	80	43,0	85,5	50	14	35	1,59	25	400	105 157	
For cut (clamp) ring tube fitting DIN 2353 heavy series ISO 8434-1	4	M16 x 1,5	8	81	12	46,4	30	30	13,7	34,5	22	7	32	0,22	4	400	105 158
	6	M18 x 1,5	10	81	12	46,4	30	30	13,7	34,5	22	7	32	0,22	6	400	105 159
	8	M20 x 1,5	12	89	12	53,0	45	45	23,0	49,5	30	8	33	0,50	8	400	105 171
	10	M22 x 1,5	14	93	14	53,0	45	45	23,0	49,5	30	8	33	0,50	10	400	105 160
	12	M24 x 1,5	16	98	14	57,0	50	50	26,0	54,5	32	10	34	0,58	12	400	105 161
	20	M36 x 2	25	116	18	68,0	70	70	36,0	75,5	46	14	35	1,42	20	400	105 162
25	M42 x 2	30	126	20	73,0	80	80	43,0	85,5	50	14	35	1,66	25	400	105 163	
BSP-female thread DIN EN ISO 228-1	4	G 1/8	-	80	11	46,4	30	30	13,7	34,5	22	7	32	0,22	4	400	105 151
	6	G 1/4	-	80	14	46,4	30	30	13,7	34,5	22	7	32	0,22	6	400	105 141
	10	G 3/8	-	85	14	53,0	45	45	23,0	49,5	30	8	33	0,50	10	400	105 142
	12	G 1/2	-	100	16	57,0	50	50	26,0	54,5	32	10	34	0,60	12	400	105 143
	20	G 3/4	-	120	18	68,0	70	70	36,0	75,5	46	14	35	1,41	20	400	105 144
25	G 1	-	135	20	73,0	80	80	43,0	85,5	50	14	35	1,78	25	400	105 145	
NPT-female thread ISO 11926-1	4	7/16 - 20	UNF - 2B	79	11,5	46,4	30	30	13,7	34,5	22	7	32	0,22	4	400	105 172
	6	1/2 - 20	UNF - 2B	79	11,5	46,4	30	30	13,7	34,5	22	7	32	0,22	6	400	105 173
	8	9/16 - 18	UNF - 2B	80	12,7	53,0	45	45	23,0	49,5	30	8	33	0,40	8	400	105 174
	10	3/4 - 16	UNF - 2B	97	14,3	53,0	45	45	23,0	49,5	30	8	33	0,50	10	400	105 175
	12	7/8 - 14	UNF - 2B	106	16,7	57,0	50	50	26,0	54,5	32	10	34	0,60	12	400	105 176
	20	1 5/16 - 12	UN - 2B	123	19,0	68,0	70	70	36,0	75,5	46	14	35	1,41	20	400	105 177
	25	1 5/8 - 12	UN - 2B	133	19,0	73,0	80	80	43,0	85,5	50	14	35	1,78	25	400	105 178



2-way ball valves with threaded connector

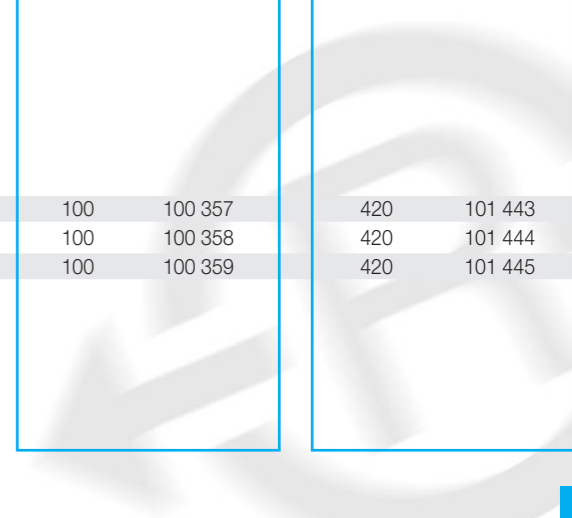
Steel · DN 32 - DN 50



Handle included in delivery.
 Please check pressure rating of the pipe fittings!
 For actuators and handles refer to "Attachments, accessories"
 Custom orders on request
 Also available with most other connections
 All dimensions subject to change without notice
 Dimensions in mm
 Weight in kg
 Pressure in bar

Body:	steel, black oxide	steel, black oxide	steel, black oxide	steel, black oxide
Ball:	steel, hard chrome plated	steel, hard chrome plated	steel, hard chrome plated	steel, hard chrome plated
Stem:	steel, zinc plated	steel, zinc plated	steel, zinc plated	steel, zinc plated
Ball seals:	POM	POM	PTFE-Comp.3	metal
Stem seals:	NBR	FKM	FKM	FKM

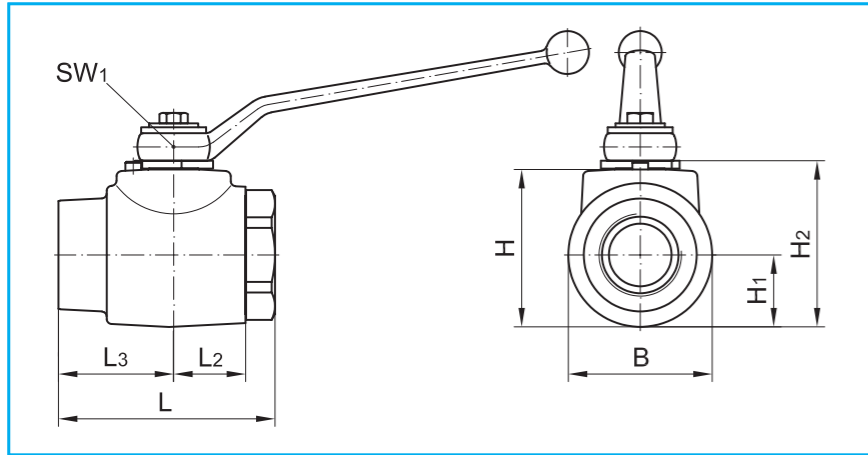
Connection	DN	Thread D	OD	L	L ₁	L ₂	L ₃	B	H	H ₁	H ₂	SW	SW ₁	Handle Weight Code	DN	PN	Article-No.	PN	Article-No.	PN	Article-No.	PN	Article-No.	
For cut (clamp) ring tube fittings DIN 2353 light series ISO 8434-1	32	M45 x 2	35	121	16	36,5	58,5	73	80	36,5	84,5	60	17	21	2,59	32	420	100 251	420	100 301	100	100 351	420	101 437
	40	M52 x 2	42	118	16	40,0	52,5	85	90	42,5	94,5	75	17	21	3,24	40	420	100 252	420	100 302	100	100 352	420	101 438
For cut (clamp) ring tube fitting DIN 2353 heavy series ISO 8434-1	32	M52 x 2	38	127	22	36,5	58,2	73	80	36,5	84,5	60	17	21	2,73	32	420	100 253	420	100 303	100	100 353	420	101 439
	32	G 1 1/4	-	110	24,0	36,5	58,5	73	80	36,5	84,5	60	17	21	3,07	32	420	100 254	420	100 304	100	100 354	420	101 440
BSP-female thread DIN EN ISO 228-1	40	G 1 1/2	-	114	26,0	40,0	57,0	85	90	42,5	94,5	75	17	21	3,96	40	420	100 255	420	100 305	100	100 355	420	101 441
	50	G 2	-	129	27,5	48,0	65,0	99	104	49,5	108,5	85	17	22	5,02	50	420	100 256	420	100 306	100	100 356	420	101 442
NPT-female thread ANSI/ASME B1.20.1-1983	32	1 1/4 - 11 1/2 NPT	-	110	17,3	36,5	58,5	73	80	36,5	84,5	60	17	21	3,46	32	420	100 257	420	100 307	100	100 357	420	101 443
	40	1 1/2 - 11 1/2 NPT	-	114	17,3	40,0	57,0	85	90	42,5	94,5	75	17	21	3,96	40	420	100 258	420	100 308	100	100 358	420	101 444
	50	2 - 11 1/2 NPT	-	129	17,7	48,0	65,0	99	104	49,5	108,5	85	17	22	5,28	50	420	100 259	420	100 309	100	100 359	420	101 445



2-way ball valves with threaded connector

Stainless steel · DN 32 - DN 50

NEW!



Handle included in delivery.
 Please check pressure rating of the pipe fittings!
 For actuators and handles refer to "Attachments, accessories"
 Stainless steel (material No.1.4571 - or other stainless steels)
 Custom orders on request
 All dimensions subject to change without notice

Dimensions in mm
 Weight in kg
 Pressure in bar

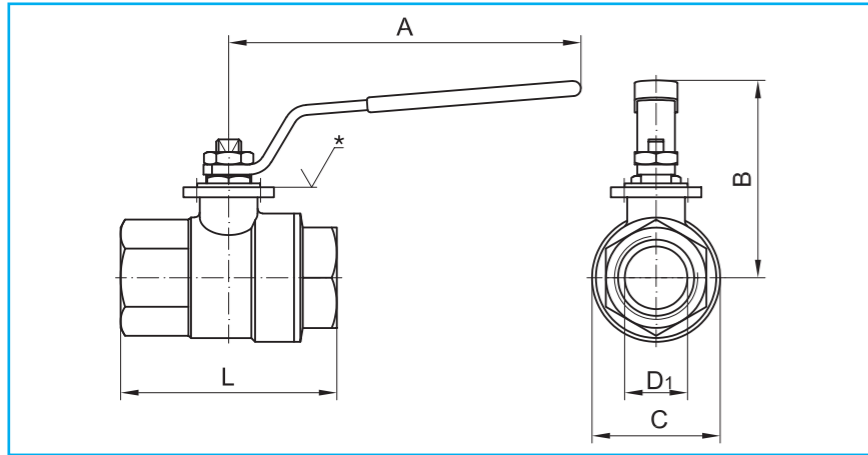
Body:	stainless steel	stainless steel	stainless steel	stainless steel
Ball:	stainless steel	stainless steel	stainless steel	stainless steel
Stem:	stainless steel	stainless steel	stainless steel	stainless steel
Ball seals:	POM	POM	PTFE-Comp.3	PTFE-Comp.3
Stem seals:	NBR	FKM	FKM	FFKM
Handle:	stainless steel	stainless steel	stainless steel	stainless steel
Stop plate:	stainless steel	stainless steel	stainless steel	stainless steel

Connection	DN	Thread D	OD	L	L ₁	L ₂	L ₃	B	H	H ₁	H ₂	SW	SW ₁	Handle Weight Code	DN	PN	Article-No.	PN	Article-No.	PN	Article-No.	PN	Article-No.	
For cut (clamp) ring tube fittings DIN 2353 light series ISO 8434-1	32	M45 x 2	35	121	16	36,5	58,5	73	80	36,5	84,5	60	17	37	2,59	32	420	109 364	420	109 373	100	109 382	100	109 391
	40	M52 x 2	42	118	16	40,0	52,5	85	90	42,5	94,5	75	17	37	3,24	40	420	109 365	420	109 374	100	109 383	100	109 392
For cut (clamp) ring tube fitting DIN 2353 heavy series ISO 8434-1	32	M52 x 2	38	127	22	36,5	58,2	73	80	36,5	84,5	60	17	37	2,73	32	420	109 366	420	109 375	100	109 384	100	109 393
	32	G 1 1/4	-	110	24,0	36,5	58,5	73	80	36,5	84,5	60	17	37	3,07	32	420	109 367	420	109 376	100	109 385	100	109 394
BSP-female thread DIN EN ISO 228-1	40	G 1 1/2	-	114	26,0	40,0	57,0	85	90	42,5	94,5	75	17	37	3,96	40	420	109 368	420	109 377	100	109 386	100	109 395
	50	G 2	-	129	27,5	48,0	65,0	99	104	49,5	108,5	85	17	38	5,02	50	420	109 369	420	109 378	100	109 387	100	109 396
NPT-female thread ANSI/ASME B1.20.1-1983	32	1 1/4 - 11 1/2 NPT	-	110	17,3	36,5	58,5	73	80	36,5	84,5	60	17	37	3,46	32	420	109 370	420	109 379	100	109 388	100	109 397
	40	1 1/2 - 11 1/2 NPT	-	114	17,3	40,0	57,0	85	90	42,5	94,5	75	17	37	3,96	40	420	109 371	420	109 380	100	109 389	100	109 398
	50	2 - 11 1/2 NPT	-	129	17,7	48,0	65,0	99	104	49,5	108,5	85	17	38	5,28	50	420	109 372	420	109 381	100	109 390	100	109 399



2-way ball valves with threaded connector

Stainless steel · DN 10 - DN 50



Handle included in delivery
 All dimensions subject to change without notice
 Dimensions in mm
 Weight in kg
 Pressure in bar

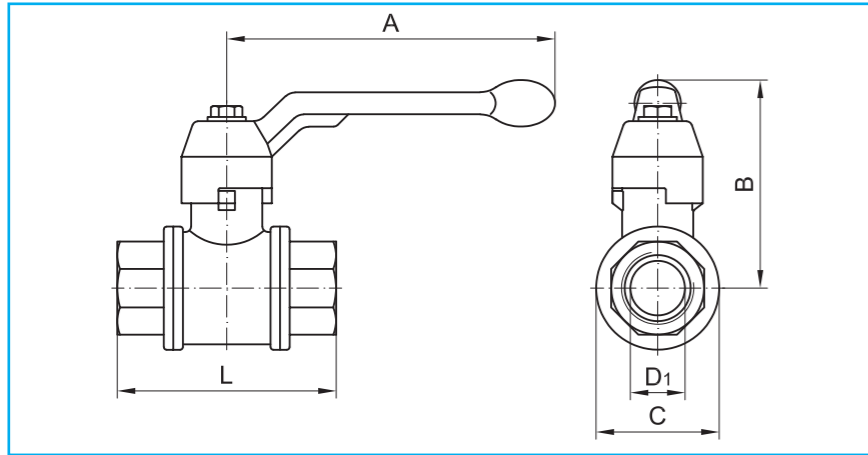
Body:	stainless steel
Ball:	stainless steel
Stem:	stainless steel
Ball seals:	PTFE
Stem seals:	FKM

Connection	DN	Thread	D1	L	L1	A	B	C	*Porting pattern DIN EN ISO 5211	Weight	DN	PN	Article-No.
<p>BSP-female thread DIN EN 10226-1</p>	10	Rp 3/8	10	55	11,4	110	52	29,0	F 03	0,23	10	100	101 523
	12	Rp 1/2	15	65	15,0	110	55	34,5	F 03	0,31	12	100	101 524
	20	Rp 3/4	20	70	16,3	140	66	42,5	F 03	0,51	20	100	101 525
	25	Rp 1	25	85	19,1	140	70	50,5	F 03	0,76	25	100	101 526
	32	Rp 1 1/4	32	95	21,4	180	85	63,0	F 04	1,27	32	64	101 527
	40	Rp 1 1/2	40	105	21,4	180	91	75,5	F 04	1,81	40	64	101 528
	50	Rp 2	50	125	25,7	230	105	91,0	F 05	3,16	50	40	101 529



2-way ball valves with threaded connector

Brass · DN 4 - DN 80



Handle included in delivery
 Approved by DVGW for use up to PN 4
 All dimensions subject to change without notice
 Dimensions in mm
 Weight in kg
 Pressure in bar

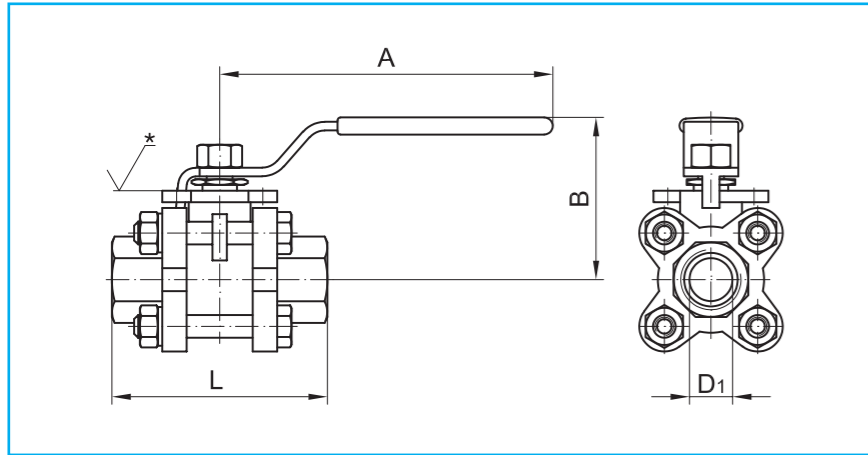
Body:	brass
Ball:	brass
Stem:	brass
Ball seals:	PTFE
Stem seals:	PTFE

Connection	DN	Thread D	D1	L	L1	A	B	C	Weight	DN	PN	Article-No.
BSP-female thread DIN EN 10226-1	4	Rp 1/8	8	48	10	75	52	23	0,16	4	100	101 531
	6	Rp 1/4	8	51	13	75	52	23	0,15	6	100	101 532
	10	Rp 3/8	10	55	13	100	61	29	0,25	10	100	101 533
	12	Rp 1/2	15	69	16	100	64	36	0,37	12	100	101 534
	20	Rp 3/4	20	77	17	120	76	45	0,64	20	100	101 535
	25	Rp 1	25	89	19	120	80	54	0,89	25	100	101 536
	32	Rp 1 1/4	32	103	22	150	98	65	1,56	32	100	101 537
	40	Rp 1 1/2	40	114	22	150	104	79	2,32	40	100	101 538
	50	Rp 2	50	134	27	175	119	96	3,63	50	80	101 539
	65	Rp 2 1/2	65	160	32	280	155	119	5,54	65	40	101 540
	80	Rp 3	80	185	35	280	167	144	8,44	80	40	101 541



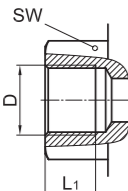
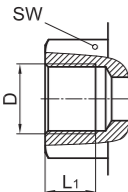
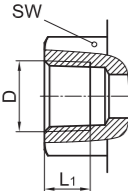
2-way ball valves with threaded connector

Stainless steel · with removable centre · DN 6 - DN 50



Handle included in delivery
 Overall length DIN 3202-4-M3
 All dimensions subject to change without notice
 Dimensions in mm
 Weight in kg
 Pressure in bar

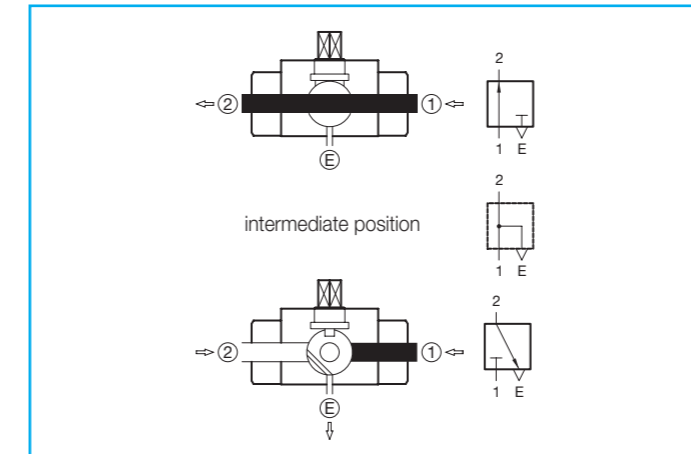
Body:	stainless steel
Ball:	stainless steel
Stem:	stainless steel
Ball seals:	PTFE
Stem seals:	PTFE

Connection	DN	Thread D	D1	L	L1	A	B	*Porting pattern DIN EN ISO 5211	Weight	DN	PN	Article-No.
BSP-female thread DIN EN ISO 228-1 	6	G 1/4	11,6	50	12,0	105	51	F04	0,45	6	63	100 853
	10	G 3/8	12,7	60	12,0	105	51	F04	0,45	10	63	100 854
	12	G 1/2	15,0	75	15,0	105	61	F04	0,65	12	63	100 855
	20	G 3/4	20,0	80	19,0	125	66	F04	0,75	20	63	100 856
	25	G 1	25,0	90	22,0	152	78	F04	1,15	25	63	100 857
	32	G 1 1/4	32,0	110	21,4	152	82	F04	1,75	32	63	100 858
	40	G 1 1/2	38,0	120	21,4	191	95	F05	2,40	40	63	100 859
50	G 2	49,0	140	26,0	191	104	F05	3,60	50	40	100 860	
BSP-female thread DIN EN 10266-1 	6	Rp 1/4	11,6	50	12,0	105	51	F04	0,45	6	63	100 890
	10	Rp 3/8	12,7	60	12,0	105	51	F04	0,45	10	63	100 891
	12	Rp 1/2	15,0	75	15,0	105	61	F04	0,65	12	63	100 892
	20	Rp 3/4	20,0	80	19,0	125	66	F04	0,75	20	63	100 893
	25	Rp 1	25,0	90	22,0	152	78	F04	1,15	25	63	100 894
	32	Rp 1 1/4	32,0	110	21,4	152	82	F04	1,75	32	63	100 895
	40	Rp 1 1/2	38,0	120	21,4	191	95	F05	2,40	40	63	100 896
50	Rp 2	49,0	140	26,0	191	104	F05	3,60	50	40	100 897	
NPT-female thread ANSI/ASME B1.20.1-1983 	6	1/4 - 18 NPT	11,6	50	10,0	105	51	F04	0,45	6	63	100 913
	10	3/8 - 18 NPT	12,7	60	10,3	105	51	F04	0,45	10	63	100 914
	12	1/2 - 14 NPT	15,0	75	13,6	105	61	F04	0,65	12	63	100 915
	20	3/4 - 14 NPT	20,0	80	14,1	125	66	F04	0,75	20	63	100 916
	25	1 - 11 1/2 NPT	25,0	90	16,8	152	78	F04	1,15	25	63	100 917
	32	1 1/4 - 11 1/2 NPT	32,0	110	17,3	152	82	F04	1,75	32	63	100 918
	40	1 1/2 - 11 1/2 NPT	38,0	120	17,3	191	95	F05	2,40	40	63	100 919
50	2 - 11 1/2 NPT	49,0	140	17,7	191	104	F05	3,60	50	40	100 920	



2-way ball valves with threaded connector

Steel or stainless steel · with automatic pressure relief · DN 4 - DN 50



Materials/seals/connections:

2-way ball valves with automatic pressure relief can be delivered in nearly all dimensions as described in the chapter "2-way ball valves". Article-nos. on request

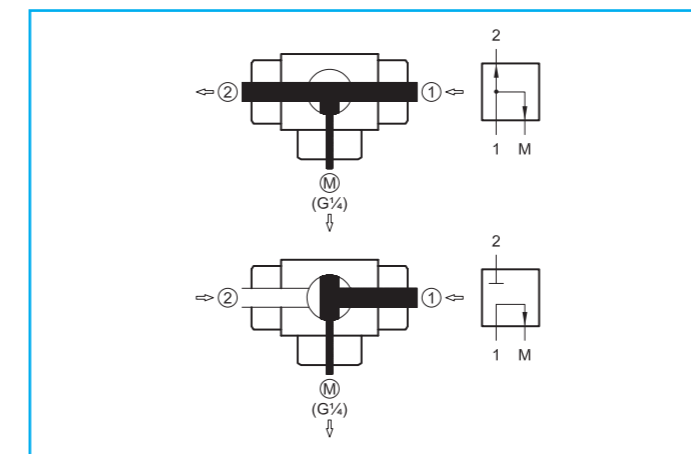
Function:

To separate quick connection couplings or to test pressure gauges etc. the consumer side of a system has to be shut off and relieved. Up to now these have been two independent processes with different valves.

This type of ball valve implies both functions, i.e. shut off and relief are done simultaneously. This simplifies operation because relief cannot be forgotten. Ball valves with automatic relief have to be installed unidirectional in according to the direction of the arrow.

2-way ball valves with threaded connector

Steel or stainless steel · with additional miniature test point outlet
DN 4 - DN 50



Materials/seals/connections:

2-way ball valves with additional test point connection can be delivered in nearly all versions. Article-nos. and dimensions on request

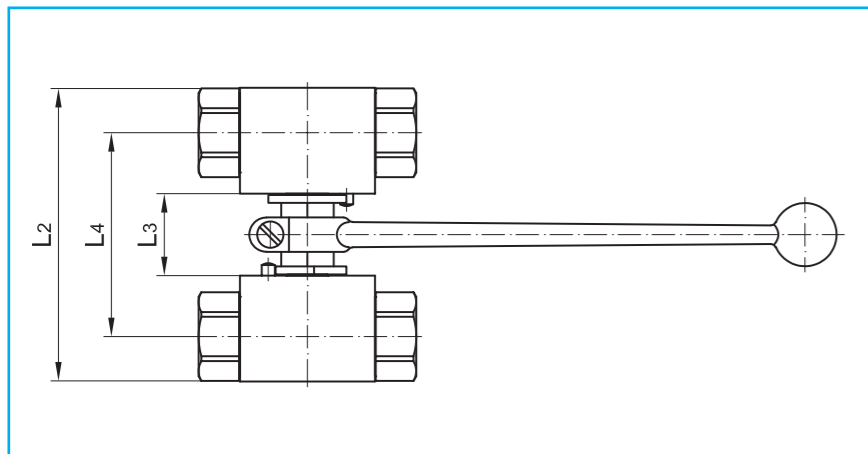
Function:

With this ball valve the system pressure can be measured in open and/or closed position. It replaces the combination of a standard ball valve and additional, cost intensive piping. Different possibilities can be realised by different porting patterns.



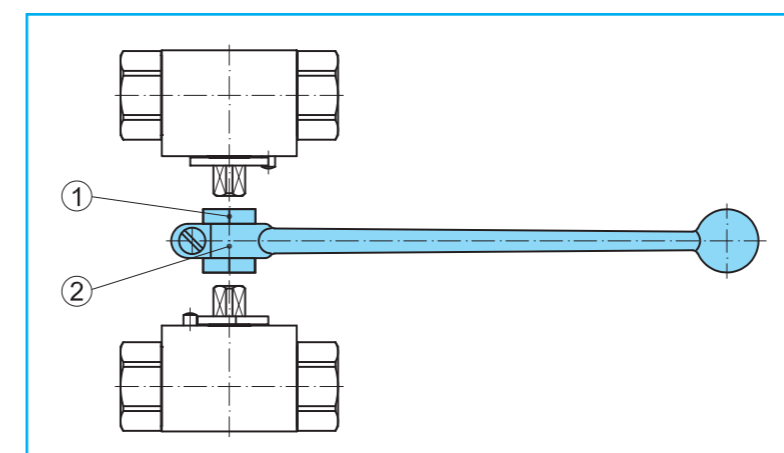
2-way ball valves with threaded connector

Steel or stainless steel · as combination · DN 4 - DN 50



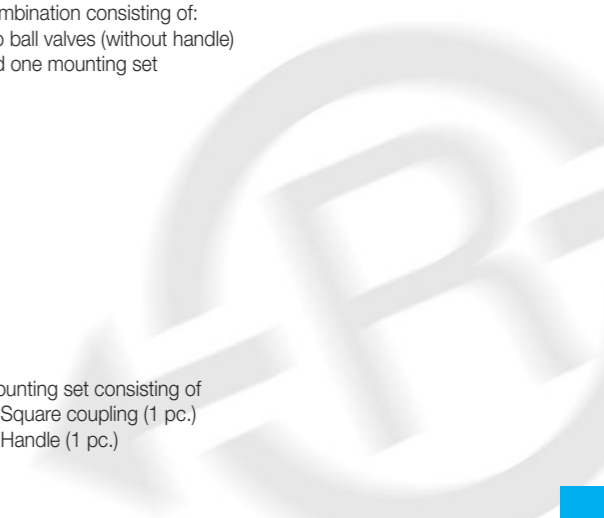
Mounting sets are identical in design for multi-way ball valves with floating ball.
 For dimensions and article numbers for ball valve bodies refer to the respective chapter.
 Custom orders on request
 All dimensions subject to change without notice
 Dimensions in mm
Also available completely assembled

Connection	DN	Steel			Stainless steel (standard)			Stainless steel (630 bar)			Mounting sets DN	Steel	Stainless steel
		L2	L3	L4	L2	L3	L4	L2	L3	L4		Article-No.	Article-No.
ALL	4	67	17	47	67	17	47	77	17	49,6	4	100 780	100 849
	6	67	17	47	67	17	47	77	17	49,6	6	100 780	100 849
	8	94	24	65	94	24	65	104	24	68,0	8	100 781	100 850
	10	94	24	65	94	24	65	104	24	68,0	10	100 781	100 850
	12	111	31	77	111	31	77	121	31	79,0	12	100 782	100 851
	16	121	31	81	150	40	102	170	40	108,0	16	100 782	100 852
	20	150	40	102	150	40	102	170	40	108,0	20	100 784	100 852
	25	160	40	108	160	40	108	190	40	114,0	25	100 784	100 852
	32	203	43	130	203	43	130	-	-	-	32	100 785	100 803
	40	223	43	138	223	43	138	-	-	-	40	100 785	100 803
	50	251	43	152	251	43	152	-	-	-	50	100 785	100 803



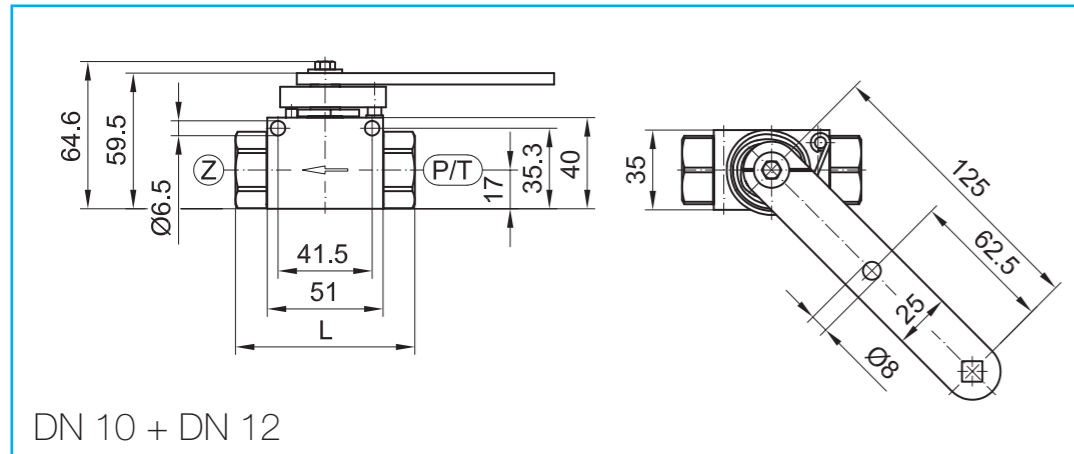
Combination consisting of:
 two ball valves (without handle)
 and one mounting set

Mounting set consisting of
 ① Square coupling (1 pc.)
 ② Handle (1 pc.)



2-way ball valves with threaded connector

Steel · with spring return and integrated check valve



Unidirectional installation!

Please check pressure rating of the pipe fittings!
 Custom orders on request
 All dimensions subject to change without notice
 Handle included in delivery.

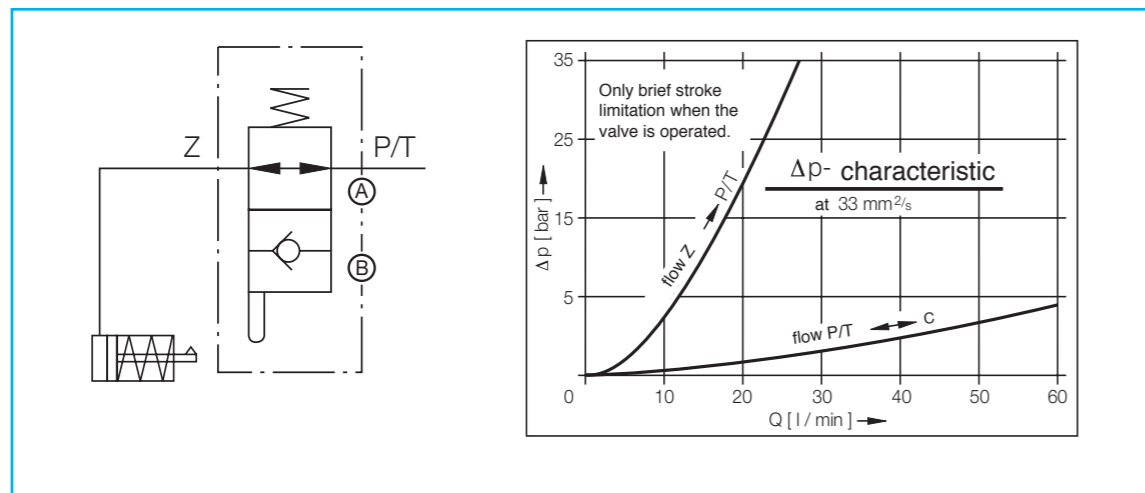
Also available without check valve

Dimensions in mm
 Weight in kg
 Pressure in bar

Body:	steel, black oxide
Ball:	steel, hard chrome plated
Stem:	steel, zinc plated
Ball seals:	POM
Stem seals:	NBR

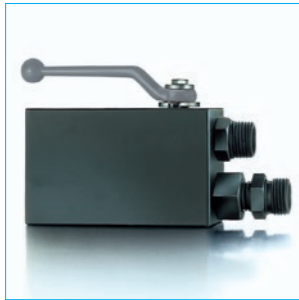
Connection	DN	Thread D	OD	L	L ₁	SW	Weight
For cut (clamp) ring tube fitting DIN 2353 light series ISO 8434-1	10	M 18 x 1,5	12	81	11	30	0,82
	12	M 22 x 1,5	15	83	12	30	0,82
For cut (clamp) ring tube fitting DIN 2353 heavy series ISO 8434-1	10	M 22 x 1,5	14	87	14	30	0,85
	12	M 24 x 1,5	16	87	14	30	0,85
BSP-female thread DIN EN ISO 228-1	10	G 3/8	-	79	14	30	0,82
	12	G 1/2	-	82	15	30	0,82

DN	PN	Article-No.
10	500	300 004
12	500	300 005
10	500	300 008
12	500	300 009
10	500	300 006
12	500	300 007

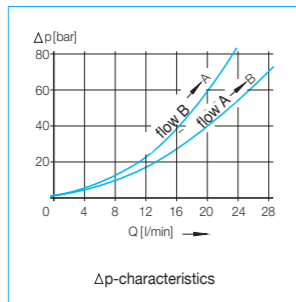
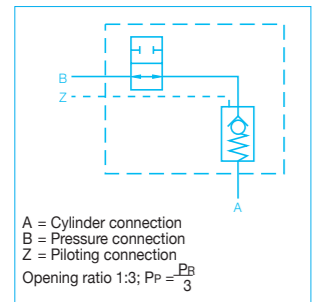


2-way ball valves with threaded connector

For support cylinder control · Technical information



2-way ball valve pilot-operated check valve for support cylinder control



Previous solutions:

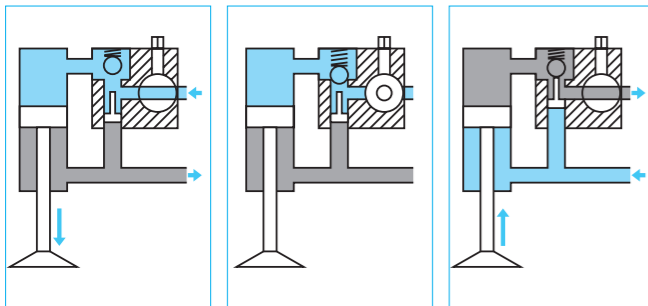
Central control from the cabin with complex rotary distributors and piping, or central control from the chassis with an unsatisfactory view of outrigger components; in some cases pilot-operated check valves are located in the lines serving the cylinders, without protection against burst lines as prescribed by the guidelines of the Central Association of the Workmen's Compensation Insurance Societies and Safety Authorities.

Our solution for this problem:

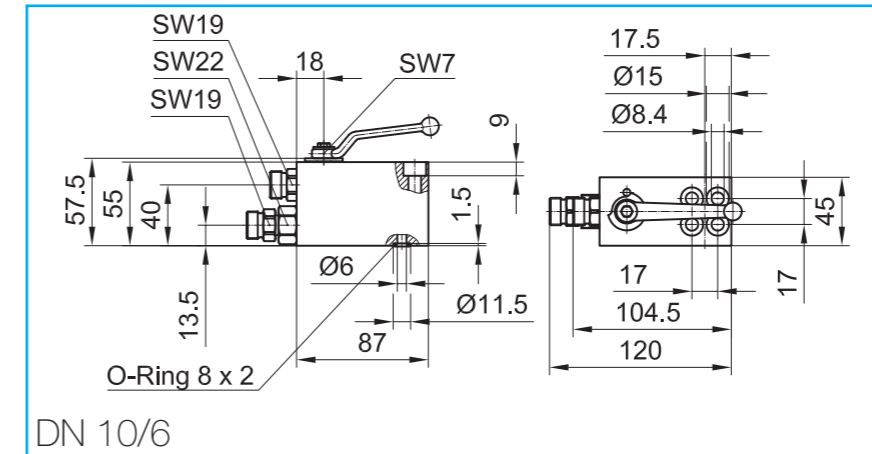
The support cylinder ball valve is flanged directly to the support cylinder, the combination forming a compact operating unit. The outrigger piston extends into position when the valve is opened. The check valve integrated into the valve body prevents unintentional retraction of the support piston under load due to operating errors or pipe rupture. During hydraulic retraction the check valve is automatically cracked to permit return flow.

Advantages:

- decentralised control of each outrigger unit directly at the support cylinder for improved safety
- simplified design for the main rotary distributor
- savings on piping and fitting
- strict compliance with the guidelines published by the Central Association of the Workmen's Compensation Insurance Societies 11.1977



with integrated, pilot-operated check valve

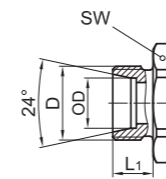


Handle included in delivery
For handle refer to "Attachments, accessories"
Please check pressure rating of the pipe fittings!
Custom orders on request
All dimensions subject to change without notice
Dimensions in mm
Weight in kg
Pressure in bar

Body:	steel, black oxide
Ball:	steel, hard chrome plated
Stem:	steel, zinc plated
Body seals:	NBR
Ball seals:	POM
Stem seals:	NBR

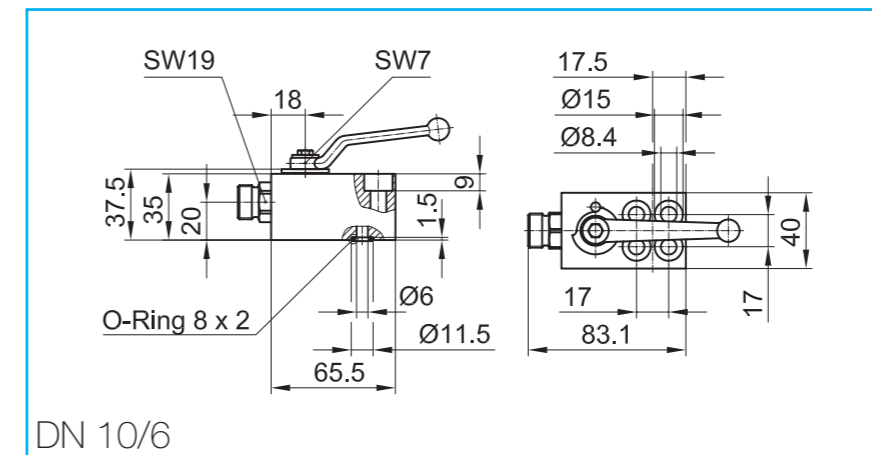
Connection

For cut (clamp) ring tube fitting
DIN 2353 light series
ISO 8434-1



DN	Thread D	OD	L1	Handle Code	Weight	PN	Article-No.
10/6	M 18 x 1,5	12	11	12	1,57	315	300 101

without check valve

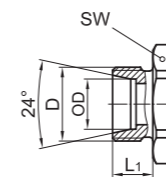


Handle included in delivery
For handle refer to "Attachments, accessories"
Please check pressure rating of the pipe fittings!
Custom orders on request
All dimensions subject to change without notice
Dimensions in mm
Weight in kg
Pressure in bar

Body:	steel, black oxide
Ball:	steel, hard chrome plated
Stem:	steel, zinc plated
Body seals:	NBR
Ball seals:	POM
Stem seals:	NBR

Connection

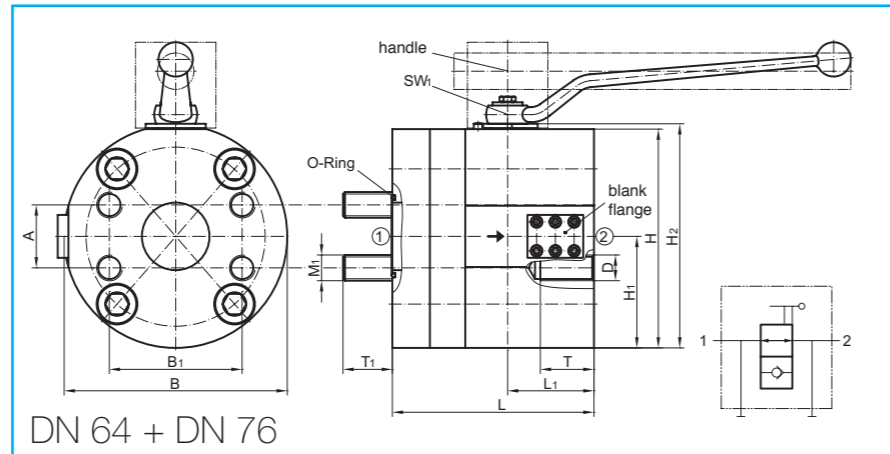
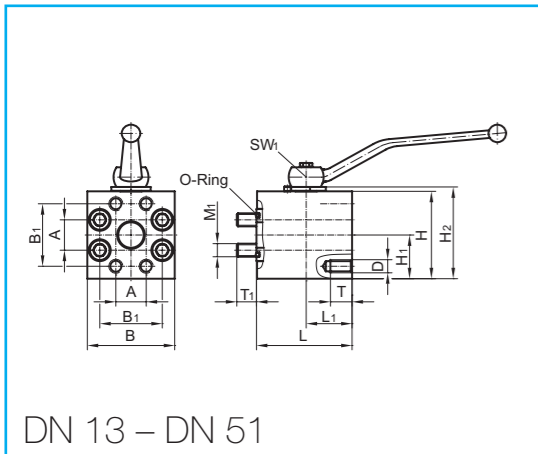
For cut (clamp) ring tube fitting
DIN 2353 light series
ISO 8434-1



DN	Thread D	OD	L1	Handle Code	Weight	PN	Article-No.
10/6	M 18 x 1,5	12	11	12	0,7	315	300 102

2-way ball valves with flange connection

Steel · ISO 6162 (SAE) · DN 13 - DN 76 · direct flangable



Handle and o-ring included in delivery
 For handle refer to "Attachments, accessories"
 Actuators and custom orders on request
 All dimensions subject to change without notice
 Dimensions in mm
 Weight in kg
 Pressure in bar

NEW!
 Full flow,
 no reduction!

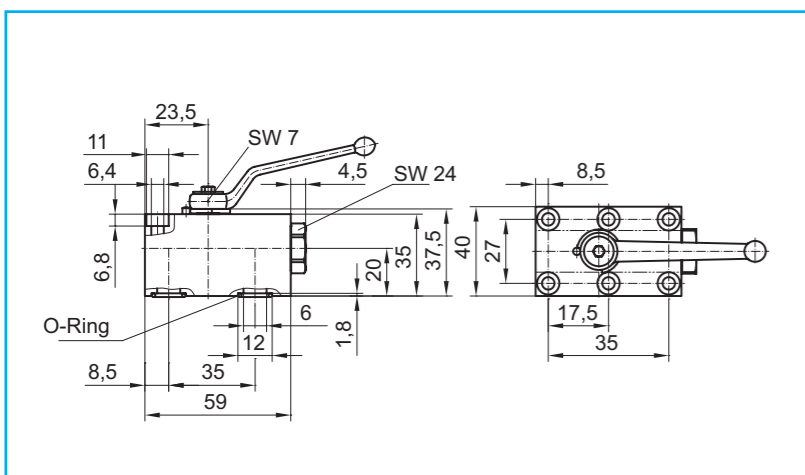
**Bypass-ball valve instead of blank flange retrofitable,
 also deliverable completely assembled with bypass-ball valve**

*) Fixing bolts are not included as standard equipment.
 Please check property class of the fixing bolts.
 **) DN 64 and DN 76: steel, zinc plated

Body:	steel, black oxide**	steel, black oxide**
Ball:	steel, hard chrome plated	steel, hard chrome plated
Stem:	steel, zinc plated	steel, zinc plated
Ball seals:	POM	POM
Stem seals:	NBR	FKM

Connection	DN Flange-size (inch)	D	T	A	B ₁	L	L ₁	B	H	H ₁	H ₂	SW ₁	M1*	T ₁	Handle Weight Code	DN	O-Ring	PN	Article-No.	PN	Article-No.		
ISO 6162-2	13	1/2	M8	15,0	18,2	40,5	55,5	27,0	60	55	28,5	58,5	10	M8x60	13,5	14	1,29	13	18,64 x 3,53	420	104 093	420	104 120
	19	3/4	M10	16,5	23,8	50,8	62,5	31,0	70	70	35,0	74,0	14	M10x65	14,0	15	1,99	19	24,99 x 3,53	420	104 094	420	104 121
	25	1	M12	21,5	27,8	57,2	75,5	38,5	80	80	40,0	84,0	14	M12x80	18,0	15	2,98	25	32,92 x 3,53	420	104 095	420	104 122
	32	1 1/4	M12	23,5	31,8	66,6	82,0	43,5	100	100	50,0	104,5	17	M12x85	18,0	21	5,80	32	37,69 x 3,53	420	104 166	420	104 167
	38	1 1/2	M16	26,0	36,5	79,3	99,0	53,5	120	120	60,0	124,5	17	M16x100	18,0	21	9,50	38	47,22 x 3,53	420	104 097	420	104 124
	51	2	M20	34,0	44,5	96,8	109,5	61,0	134	123	61,5	128,5	17	M20x110	22,0	22	11,10	51	56,74 x 3,53	420	104 098	420	104 125
	64	2 1/2	M24	50,0	58,7	123,8	188,0	80,5	208	204	104,0	209,0	17	M24x55	46,0	22	46,00	64	69,44 x 3,53	420	104 277	420	104 281
76	3	M30	60,0	71,4	152,4	214,0	91,0	248	231	124,0	-	19	M30x70	56,0	58	78,00	76	85,32 x 3,53	420	104 278	420	104 282	
ISO 6162-2	13	1/2	5/16-18 UNC	19	18,2	40,5	55,5	27,0	60	55	28,5	58,5	10	5/16 UNC x 2 1/2	17,5	14	1,29	13	18,64 x 3,53	420	104 099	420	104 126
	19	3/4	3/8 -16 UNC	21	23,8	50,8	62,5	31,0	70	70	35,0	74,0	14	3/8 UNC x 2 3/4	19,0	15	1,99	19	24,99 x 3,53	420	104 100	420	104 127
	25	1	7/16-14 UNC	21	27,8	57,2	75,5	38,5	80	80	40,0	84,0	14	7/16 UNC x 3 1/4	20,0	15	2,98	25	32,92 x 3,53	420	104 101	420	104 128
	32	1 1/4	1/2 -13 UNC	25	31,8	66,6	82,0	43,5	100	100	50,0	104,5	17	1/2 UNC x 3 1/2	21,0	21	5,80	32	37,69 x 3,53	420	104 102	420	104 129
	38	1 1/2	5/8 -11 UNC	28	36,5	79,3	99,0	53,5	120	120	60,0	124,5	17	5/8 UNC x 4 1/4	26,0	21	9,50	38	47,22 x 3,53	420	104 103	420	104 130
	51	2	3/4 -10 UNC	34	44,5	96,8	109,5	61,0	134	123	61,5	128,5	17	3/4 UNC x 4 1/2	26,0	22	11,10	51	56,74 x 3,53	420	104 104	420	104 131
	64	2 1/2	7/8 -9 UNC	50	58,7	123,8	188,0	80,5	208	204	104,0	209,0	17	7/8 UNC x 2 1/4	48,0	22	46,00	64	69,44 x 3,53	420	104 279	420	104 283
76	3	1 1/8 -7 UNC	60	71,4	152,4	214,0	91,0	248	231	124,0	-	19	1 1/8 UNC x 2 3/4	56,0	58	78,00	76	85,32 x 3,53	420	104 280	420	104 284	

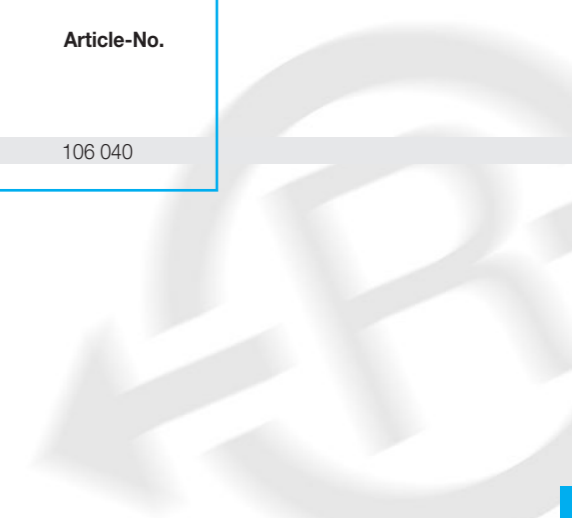
Bypass-ball valve for DN 64 and DN 76



DN	Handle Code	Weight	O-Ring
6	12	0,58	7,50 x 2,50

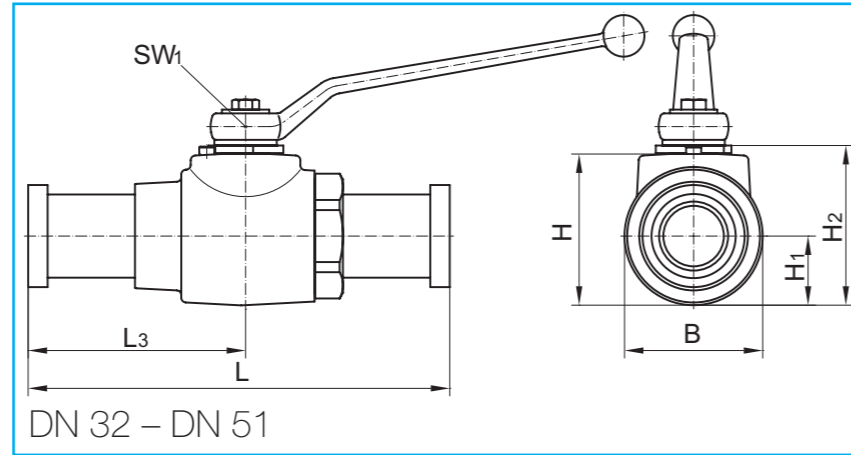
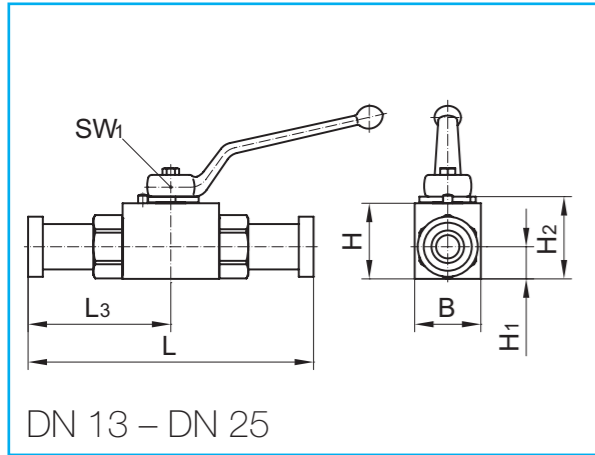
Article-No.
106 040

Bolts included in delivery



2-way ball valves with flange connection

Steel · ISO 6162 (SAE) · DN 13 - DN 51 · for split flanges



Handle and o-ring included in delivery
 For actuators and handles refer to "Attachments, accessories"
 Custom orders on request
 All dimensions subject to change without notice
 Dimensions in mm
 Weight in kg
 Pressure in bar

DN 32 - DN 51 also available with completely assembled full flanges

Body:	steel, black oxide	steel, black oxide
Ball:	steel, hard chrome plated	steel, hard chrome plated
Stem:	steel, zinc plated	steel, zinc plated
Ball seals:	POM	POM
Stem seals:	NBR	FKM

Connection	DN	Flange-size (inch)	D1	D2	L	L2	L3	B	H	H1	H2	SW1	Handle Code	Weight
 ISO 6162-1	13	1/2	30,20	24,0	151,0	6,8	75,5	35	40	17,0	43,5	10	14	0,9
	19	3/4	38,10	31,5	162,0	6,8	81,0	45	55	24,0	59,0	14	15	1,7
	25	1	44,45	38,0	178,0	8,0	89,0	55	60	26,0	64,0	14	15	2,5
	32	1 1/4	50,80	43,0	195,0*	8,0	99,0	73	80	36,5	84,5	17	21	3,8
	38	1 1/2	60,35	50,0	231,0*	8,0	115,5	85	90	42,5	94,5	17	21	4,5
	51	2	71,40	62,0	232,0*	9,6	116,5	99	104	49,5	108,5	17	22	6,1
 ISO 6162-2	13	1/2	31,8	24	151	7,8	75,5	35	40	17,0	43,5	10	14	1,0
	19	3/4	41,3	32	174	8,8	87,0	45	55	24,0	59,0	14	15	1,8
	25	1	47,6	38	198	9,5	99,0	55	60	26,0	64,0	14	15	2,6
	32	1 1/4	54,0	44	227*	10,3	115,0	73	80	36,5	84,5	17	21	4,0
	38	1 1/2	63,5	51	281	12,6	140,5	85	90	42,5	94,5	17	21	5,6
	51	2	79,4	67	316	12,6	158,5	99	104	49,5	108,5	17	22	7,7

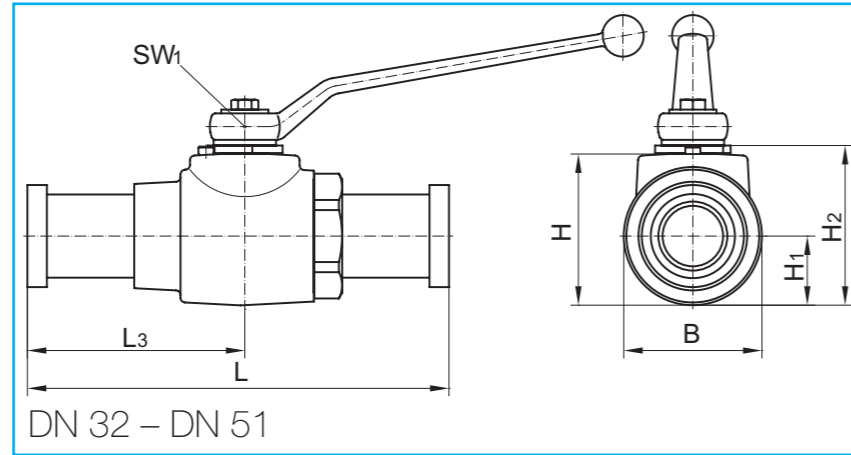
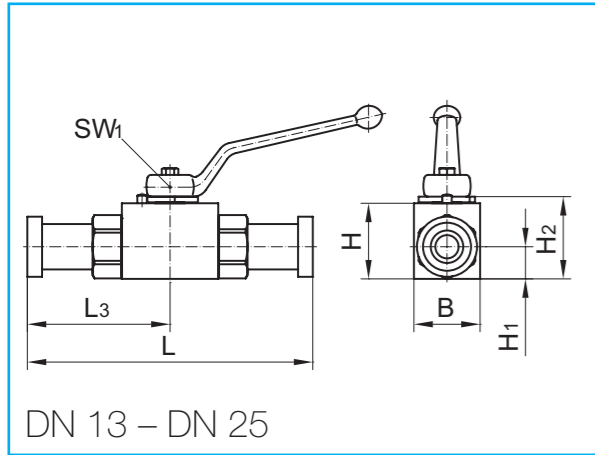
DN	O-Ring	PN	Article-No.	PN	Article-No.
13	18,64 x 3,53	350	104 523	350	104 533
19	24,99 x 3,53	350	104 524	350	104 534
25	32,92 x 3,53	320	104 501	320	104 511
32	37,69 x 3,53	280	104 502	280	104 512
38	47,22 x 3,53	210	104 503	210	104 513
51	56,74 x 3,53	210	104 504	210	104 514
13	18,64 x 3,53	420	104 528	420	104 538
19	24,99 x 3,53	420	104 529	420	104 539
25	32,92 x 3,53	420	104 505	420	104 515
32	37,69 x 3,53	420	104 506	420	104 516
38	47,22 x 3,53	420	104 507	420	104 517
51	56,74 x 3,53	420	104 508	420	104 518

*) Please regard changed dimensions!



2-way ball valves with flange connection

Stainless steel · ISO 6162 (SAE) · DN 13 - DN 51 · for split flanges



Handle and o-ring included in delivery
 For actuators and handles refer to "Attachments, accessories"
 Stainless steel (material no. 1.4571 - or other stainless steels)
 Custom orders on request
 All dimensions subject to change without notice

Dimensions in mm
 Weight in kg
 Pressure in bar

Also available with completely assembled full flanges

Body:	stainless steel	stainless steel	
Ball:	stainless steel	stainless steel	
Stem:	stainless steel	stainless steel	
Ball seals:	POM	POM	
Stem seals:	NBR	FKM	
Handle:	zinc, die cast	zinc, die cast	DN 13 - DN 25
Stop plate:	steel, zinc plated	steel, zinc plated	DN 13 - DN 25
Handle:	stainless steel	stainless steel	DN 32 - DN 51
Stop plate:	stainless steel	stainless steel	DN 32 - DN 51

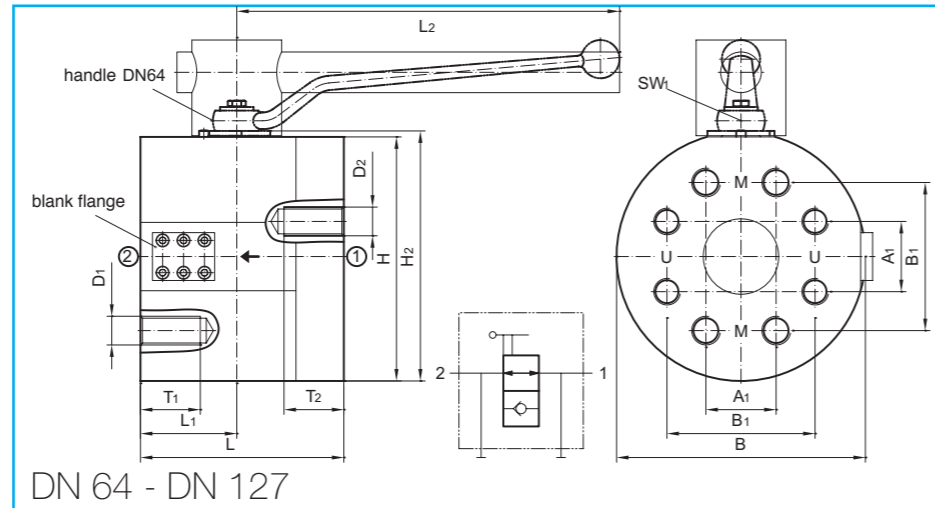
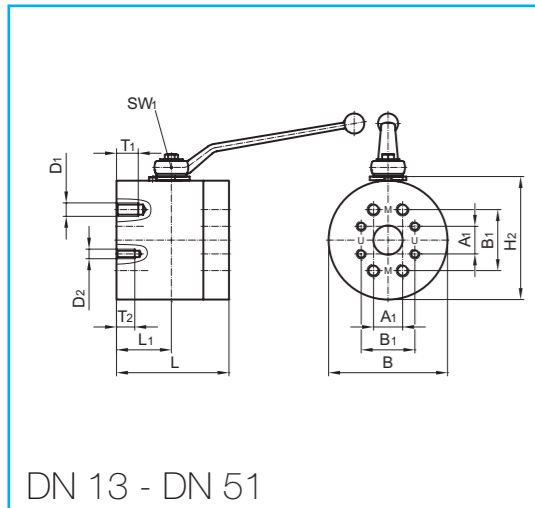
Connection	DN	Flange-size (inch)	D1	D2	L	L2	L3	B	H	H1	H2	SW1	Handle Code	Weight
 ISO 6162-1	13	1/2	30,20	24,0	151,0	6,8	75,5	35	40	17,0	43,5	10	14	0,9
	19	3/4	38,10	31,5	162,0	6,8	81,0	45	55	24,0	59,0	14	15	1,7
	25	1	44,45	38,0	178,0	8,0	89,0	55	60	26,0	64,0	14	15	2,5
	32	1 1/4	50,80	43,0*	195,0	8,0	99,0	73	80	36,5	84,5	17	37	3,8
	38	1 1/2	60,35	50,0*	231,0	8,0	115,5	85	90	42,5	94,5	17	37	4,5
	51	2	71,40	62,0*	232,0	9,6	116,5	99	104	49,5	108,5	17	38	6,1
 ISO 6162-2	13	1/2	31,8	24	151	7,8	75,5	35	40	17,0	43,5	10	14	1,0
	19	3/4	41,3	32	174	8,8	87,0	45	55	24,0	59,0	14	15	1,8
	25	1	47,6	38	198	9,5	99,0	55	60	26,0	64,0	14	15	2,6
	32	1 1/4	54,0	44	227	10,3	115,0	73	80	36,5	84,5	17	37	4,0
	38	1 1/2	63,5	51	281	12,6	140,5	85	90	42,5	94,5	17	37	5,6
	51	2	79,4	67	316	12,6	158,5	99	104	49,5	108,5	17	38	7,7

DN	O-Ring	PN	Article-No.	PN	Article-No.
13	18,64 x 3,53	350	104 315	350	104 327
19	24,99 x 3,53	350	104 316	350	104 328
25	32,92 x 3,53	320	104 317	320	104 329
32	37,69 x 3,53	280	104 318	280	104 330
38	47,22 x 3,53	210	104 319	210	104 331
51	56,74 x 3,53	210	104 320	210	104 332
13	18,64 x 3,53	420	104 321	420	104 333
19	24,99 x 3,53	420	104 322	420	104 334
25	32,92 x 3,53	420	104 323	420	104 335
32	37,69 x 3,53	420	104 324	420	104 336
38	47,22 x 3,53	420	104 325	420	104 337
51	56,74 x 3,53	420	104 326	420	104 338



2-way ball valves with flange connection

Steel · ISO 6162 (SAE) · DN 13 - DN 127



Handle and o-ring included in delivery
 For handle refer to "Attachments, accessories".
 Actuators and custom orders on request
 All dimensions subject to change without notice
 Dimensions in mm
 Weight in kg
 Pressure in bar

**Bypass-ball valve instead of blank flange retrofittable,
 also deliverable completely assembled with bypass-ball valve**

NEW!
 Metric and UNC-
 thread in the same
 body!

*) DN 64 - DN 127: steel, zinc plated

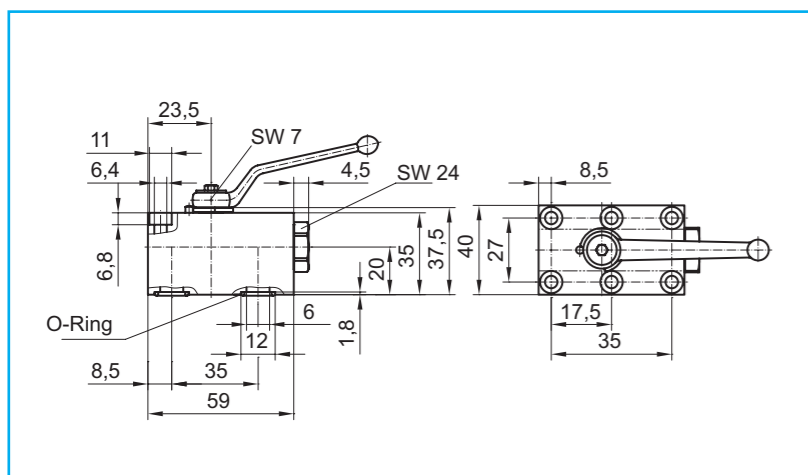
Body:	steel, black oxide*	steel, black oxide*
Ball:	steel, hard chrome plated	steel, hard chrome plated
Stem:	steel, zinc plated	steel, zinc plated
Ball seals:	POM	POM
Stem seals:	NBR	FKM

Connection	DN	Flange-size (inch)	D1	T1	D2	T2	A1	B1	L	L1	B	H	H2	SW1	Handle Code	Weight	DN
ISO 6162-1	13	1/2	M8	14	5/16 - 18 UNC	21	17,5	38,1	76	38,0	55	54,0	57,5	10	14	1,3	13
	19	3/4	M10	18	3/8 - 16 UNC	22	22,2	47,6	78	36,5	70	66,0	70,0	14	15	2,1	19
	25	1	M10	16	3/8 - 16 UNC	22	26,2	52,4	80	34,0	78	73,0	77,0	14	15	2,6	25
	32	1 1/4	M10	22	7/16 - 14 UNC	28	30,2	58,7	123	60,0	130	130,0	134,5	17	21	11,8	32
	38	1 1/2	M12	25	1/2 - 13 UNC	27	35,7	69,9	133	61,0	140	140,0	144,5	17	21	13,6	38
	51	2	M12	25	1/2 - 13 UNC	27	42,9	77,8	162	79,0	160	158,0	162,5	17	22	20,9	51
	64	2 1/2	M12	27	1/2 - 13 UNC	27	50,8	88,9	150	75,5	180	175,0	180,0	17	22	28,0	64
	76	3	M16	30	5/8 - 11 UNC	30	61,9	106,4	155	80,5	208	202,0	-	19	58	43,0	76
	102	4	M16	30	5/8 - 11 UNC	30	77,8	130,2	170	85,0	258	251,0	-	27	57	73,0	102
	127	5	M16	30	5/8 - 11 UNC	30	92,1	152,4	210	105,0	295	287,5	-	27	57	108,0	127
ISO 6162-2	13	1/2	M8	16	5/16 - 18 UNC	21	18,2	40,5	81,0	40,5	59	36,0	59,5	10	14	1,7	13
	19	3/4	M10	18	3/8 - 16 UNC	24	23,8	50,8	83,0	41,5	74	72,0	76,0	14	15	2,6	19
	25	1	M12	23	7/16 - 14 UNC	27	27,8	57,2	99,5	49,5	85	82,7	86,7	14	15	4,0	25
	32	1 1/4	M12*	20	1/2 - 13 UNC	25	31,8	66,7	123,0	60,0	130	130,0	134,5	17	21	11,8	32
	38	1 1/2	M16	27	5/8 - 11 UNC	35	36,5	79,4	133,0	61,0	140	140,0	144,5	17	21	13,6	38
	51	2	M20	35	3/4 - 10 UNC	38	44,5	96,8	162,0	79,0	160	158,0	162,5	17	22	20,9	51
	64	2 1/2	M24	50	7/8 - 9 UNC	50	58,7	123,8	170,0	80,5	208	204,0	209,0	17	22	42,0	64
76	3	M30	60	1 1/8 - 7 UNC	60	71,4	152,4	196,0	91,0	248	231,0	-	19	58	74,0	76	

* ISO change from M14 to M12

DN	PN	Article-No.	PN	Article-No.
13	350	104 200	350	104 206
19	350	104 201	350	104 207
25	320	104 202	320	104 208
32	280	104 175	280	104 185
38	210	104 176	210	104 186
51	210	104 177	210	104 187
64	-	-	175	104 213
76	-	-	160	104 214
102	-	-	35	104 215
127	-	-	35	104 216
13	420	104 203	420	104 209
19	420	104 204	420	104 210
25	420	104 205	420	104 211
32	420	104 182	420	104 192
38	420	104 183	420	104 193
51	420	104 184	420	104 194
64	-	-	420	104 217
76	-	-	420	104 218

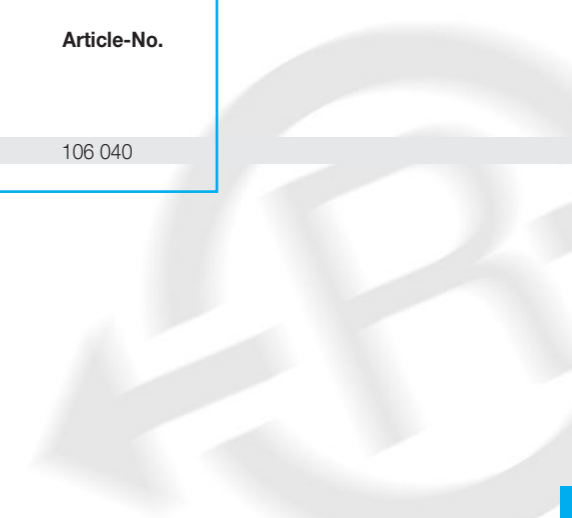
Bypass-ball valve for DN 64 - DN 127



DN	Handle Code	Weight	O-Ring
6	12	0,58	7,50 x 2,50

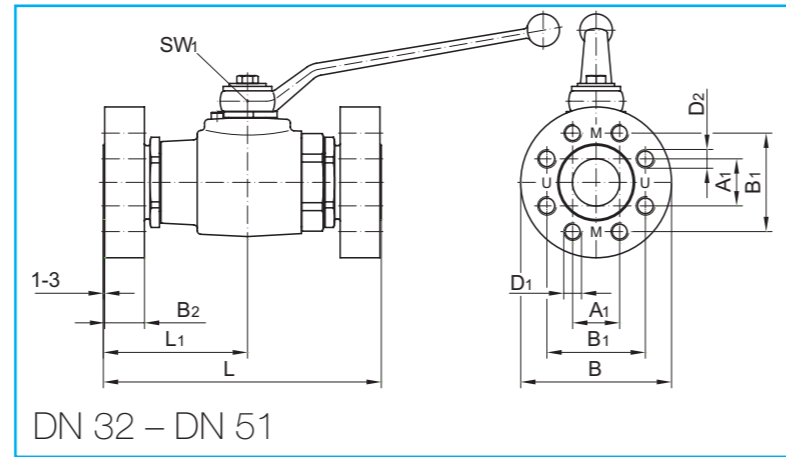
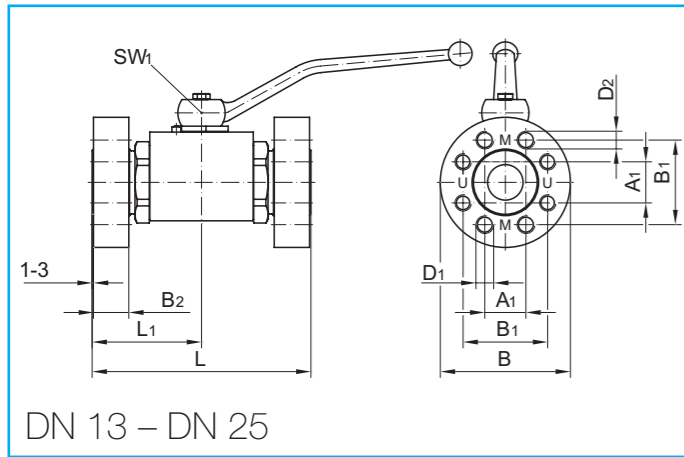
Article-No.
106 040

Bolts included in delivery



2-way ball valves with flange connection

Steel · ISO 6162 (SAE) · DN 13 - DN 51



For dimensions of ball valves refer to the respective chapter "2-way ball valves".

For handle refer to "Attachments, accessories"

Custom orders on request

All dimensions subject to change without notice

Dimensions in mm

Weight in kg

Pressure in bar

Body:	steel, black oxide	steel, black oxide
Ball:	steel, hard chrome plated	steel, hard chrome plated
Stem:	steel, zinc plated	steel, zinc plated
Ball seals:	POM	POM
Stem seals:	NBR	FKM

Connection

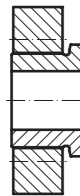
DN Flange - size (inch) D1 D2 A1 B1 B2 L L1 B SW1 Handle Code Weight

ISO 6162-1



13	1/2	M8	5/16-18 UNC	17,5	38,1	20	108,0	54,0	60	10	14	1,30
19	3/4	M10	3/8 - 16 UNC	22,2	47,6	22	131,0	65,5	70	14	15	2,60
25	1	M10	3/8 - 16 UNC	26,2	52,4	22	144,0	72,0	75	14	15	3,70
32	1 1/4	M10	7/16- 14 UNC	30,2	58,7	25	200,0	66,0	85	17	21	8,30
38	1 1/2	M12	1/2 - 13 UNC	35,7	69,9	27	235,0	117,5	100	17	21	9,50
51	2	M12	1/2 - 13 UNC	42,9	77,8	27	285,0	129,5	110	17	22	13,10

ISO 6162-2



13	1/2	M8	5/16- 18 UNC	18,2	40,5	21	108,0	54,0	60	10	14	1,40
19	3/4	M10	3/8 - 16 UNC	23,8	50,8	24	131,0	65,5	80	14	15	2,80
25	1	M12	7/16- 14 UNC	27,8	57,2	27	144,0	72,0	90	14	15	4,10
32	1 1/4	M12	1/2 - 13 UNC	31,8	66,7	25	200,0	66,0	100	17	21	4,95
38	1 1/2	M16	5/8 - 11 UNC	36,5	79,4	35	235,0	117,5	120	17	21	10,20
51	2	M20	3/4 - 10 UNC	44,5	96,8	38	285,0	129,5	140	17	22	14,10

DN

PN

Article-No.

PN

Article-No.

13

350

104 286

350

104 293

19

350

104 287

350

104 294

25

320

104 288

320

104 295

32

280

104 289

280

104 296

38

210

104 290

210

104 297

51

210

104 291

210

104 298

13

420

104 300

420

104 307

19

420

104 301

420

104 308

25

420

104 302

420

104 309

32

420

104 303

420

104 310

38

420

104 304

420

104 311

51

420

104 305

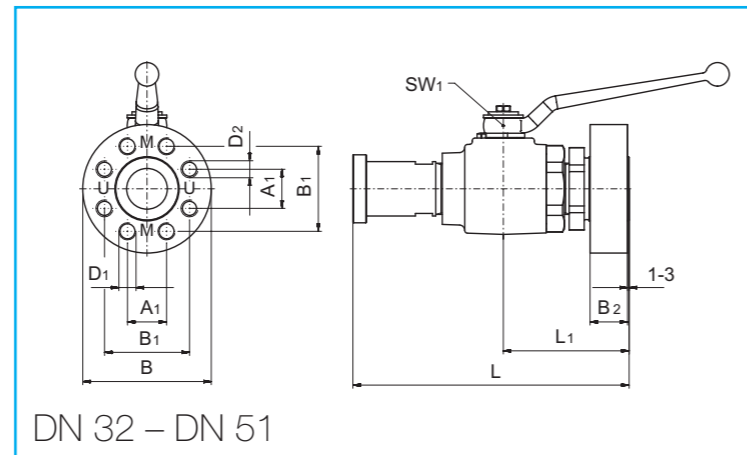
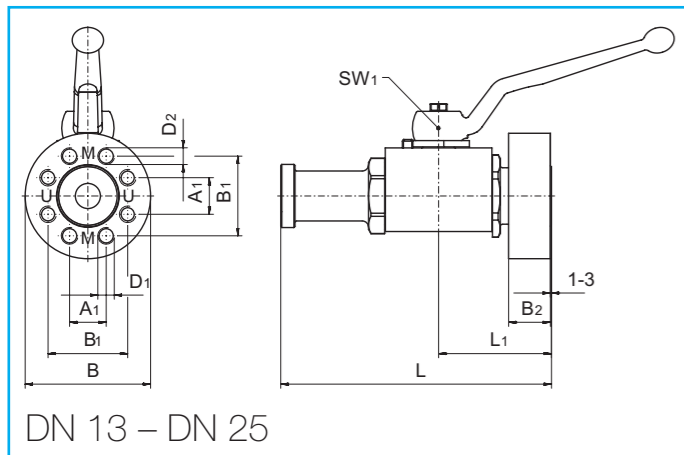
420

104 312



2-way ball valves with flange connection

Steel · ISO 6162 (SAE) · DN 13 - DN 51 · for split flanges + flange connection



For dimensions of ball valves refer to the respective chapter "2-way ball valves".

For handle refer to "Attachments, accessories"

Custom orders on request

All dimensions subject to change without notice

Dimensions in mm

Weight in kg

Pressure in bar

DN 32 - DN 51 also available with completely assembled full flanges

Body:	steel, black oxide	steel, black oxide
Ball:	steel, hard chrome plated	steel, hard chrome plated
Stem:	steel, zinc plated	steel, zinc plated
Ball seals:	POM	POM
Stem seals:	NBR	FKM

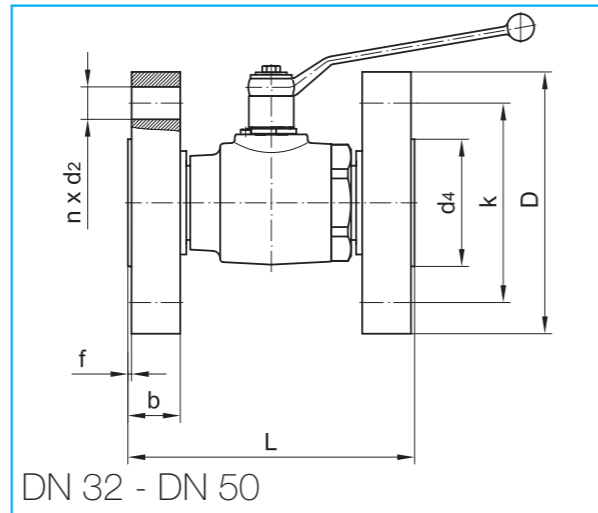
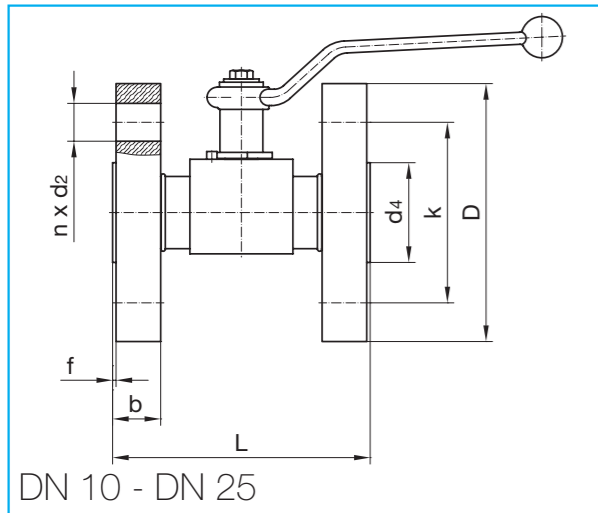
Connection	DN	Flange-size (inch)	D1	D2	A1	B1	B2	D3	D4	L	L1	L2	B	SW1	Handle Code	Weight
 ISO 6162-1	13	1/2	M8	5/16 - 18 UNC	17,5	38,1	20	30,20	24,0	129,5	54,0	6,8	60	10	14	1,10
	19	3/4	M10	3/8 - 16 UNC	22,2	47,6	22	38,10	31,5	146,5	65,5	6,8	70	14	15	2,15
	25	1	M10	3/8 - 16 UNC	26,2	52,4	22	44,45	38,0	161,0	72,0	8,0	75	14	15	3,10
	32	1 1/4	M10	7/16 - 14 UNC	30,2	58,7	25	50,80	43,0	196,0	104,0	8,0	85	17	21	6,05
	38	1 1/2	M12	1/2 - 13 UNC	35,7	69,9	27	60,35	50,0	233,0	117,5	8,0	100	17	21	7,00
	51	2	M12	1/2 - 13 UNC	42,9	77,8	27	71,40	62,0	245,0	129,5	9,6	110	17	22	9,60
 ISO 6162-2	13	1/2	M8	5/16 - 18 UNC	18,2	40,5	21	31,8	24,0	129,5	54,0	7,8	60	10	14	1,20
	19	3/4	M10	3/8 - 16 UNC	23,8	50,8	24	41,3	32,0	152,5	65,5	8,8	80	14	15	2,30
	25	1	M12	7/16 - 14 UNC	27,8	57,2	27	47,6	38,0	171,0	72,0	9,5	90	14	15	3,35
	32	1 1/4	M12	1/2 - 13 UNC	31,8	66,7	25	54,0	44,0	212,0	104,0	10,3	100	17	21	4,13
	38	1 1/2	M16	5/8 - 11 UNC	36,5	79,4	35	63,5	51,0	258,0	117,5	12,6	120	17	21	7,90
	51	2	M20	3/4 - 10 UNC	44,5	96,8	38	79,4	67,0	287,0	129,5	12,6	140	17	22	10,90

DN	O-Ring	PN	Article-No.	PN	Article-No.
13	18,64 x 3,53	350	104 340	350	104 352
19	24,99 x 3,53	350	104 341	350	104 353
25	32,92 x 3,53	320	104 342	320	104 354
32	37,69 x 3,53	280	104 343	280	104 355
38	47,22 x 3,53	210	104 344	210	104 356
51	56,74 x 3,53	210	104 345	210	104 357
13	18,64 x 3,53	420	104 346	420	104 358
19	24,99 x 3,53	420	104 347	420	104 359
25	32,92 x 3,53	420	104 348	420	104 360
32	37,69 x 3,53	420	104 349	420	104 361
38	47,22 x 3,53	420	104 350	420	104 362
51	56,74 x 3,53	420	104 351	420	104 363



2-way ball valves with flange connection

Steel · DIN · DN 10 - DN 50 · adjustable



Flange-connecting dimension: DIN EN 1092-1 (DIN 2501-1)
 Overall length PN 25 - PN 320: DIN EN 558 basic range 1 (DIN 3202-1-F1)
 Overall length PN 400: DIN EN 558 basic range 2 (DIN 3202-1-F2)
 For dimensions of ball valves refer to the respective chapter "2-way ball valves".

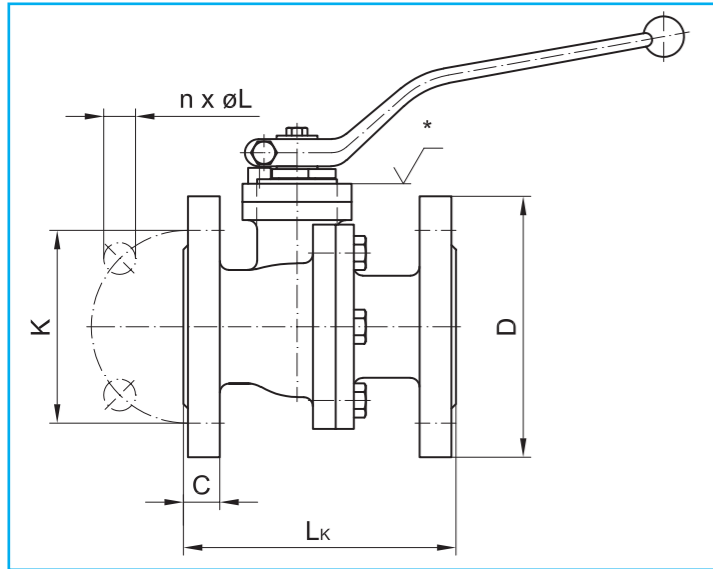
Custom orders on request
 All dimensions subject to change without notice
 Dimensions in mm
 Weight in kg
 Pressure in bar

Body:	steel, black oxide	steel, black oxide	steel, black oxide
Ball:	steel, hard chrome plated	steel, hard chrome plated	steel, hard chrome plated
Stem:	steel, zinc plated	steel, zinc plated	steel, zinc plated
Ball seals:	POM	POM	PTFE-Comp.3
Stem seals:	NBR	FKM	FKM

Connection	DN	D	b	k	d4	f	Number n	d2	L	Weight	DN	Article-No.	Article-No.	Article-No.
PN 25 PN 40	10	90	16	60	40	2	4	14	130	2,1	10	109 212	109 219	109 200
	15	95	16	65	45	2	4	14	130	2,7	15	109 213	109 220	109 201
	20	105	18	75	58	2	4	14	150	3,8	20	109 214	109 221	109 202
	25	115	18	85	68	2	4	14	160	4,9	25	109 215	109 222	109 203
	32	140	18	100	78	2	4	18	180	7,0	32	109 216	109 223	109 204
	40	150	18	110	88	3	4	18	200	8,9	40	109 217	109 224	109 205
PN 63	50	165	20	125	102	3	4	18	230	12,2	50	109 218	109 225	109 206
	10	100	20	70	40	2	4	14	130	2,9	10	109 226	109 231	109 236
	15	105	20	75	45	2	4	14	130	3,5	15	109 227	109 232	109 237
	20	130	22	90	58	2	4	18	150	5,7	20	109 272	109 274	109 276
	25	140	24	100	68	2	4	18	160	7,6	25	109 228	109 233	109 238
	32	155	24	110	78	2	4	22	180	9,8	32	109 273	109 275	109 277
PN 100	40	170	26	125	88	3	4	22	200	12,6	40	109 229	109 234	109 239
	50	180	26	135	102	3	4	22	230	15,3	50	109 230	109 235	109 240
	10	100	20	70	40	2	4	14	130	2,9	10	109 226	109 231	109 236
	15	105	20	75	45	2	4	14	130	3,5	15	109 227	109 232	109 237
	20	130	22	90	58	2	4	18	150	5,7	20	109 272	109 274	109 276
	25	140	24	100	68	2	4	18	160	7,6	25	109 228	109 233	109 238
PN 160	32	155	24	110	78	2	4	22	180	9,8	32	109 273	109 275	109 277
	40	170	26	125	88	3	4	22	200	12,6	40	109 229	109 234	109 239
	50	195	28	145	102	3	4	26	230	17,9	50	109 241	109 242	109 243
	10	100	20	70	40	2	4	14	130	2,9	10	109 226	109 231	109 236
	15	105	20	75	45	2	4	14	130	3,5	15	109 227	109 232	109 237
PN 250	25	140	24	100	68	2	4	18	160	7,6	25	109 228	109 233	109 238
	40	170	28	125	88	3	4	22	200	13,2	40	109 244	109 246	-
	50	195	30	145	102	3	4	26	230	18,7	50	109 245	109 247	-
	10	125	24	85	40	2	4	18	130	5,0	10	109 207	109 251	109 256
	15	130	26	90	45	2	4	18	130	6,2	15	109 208	109 252	109 257
PN 320	25	150	28	105	68	2	4	22	160	9,5	25	109 248	109 253	109 258
	40	185	34	135	88	3	4	26	200	17,2	40	109 249	109 254	-
	50	200	38	150	102	3	8	26	230	22,6	50	109 250	109 255	-
	10	125	24	85	40	2	4	18	130	5,0	10	109 207	109 251	109 256
	15	130	26	90	45	2	4	18	130	6,2	15	109 208	109 252	109 257
PN 400	25	160	34	115	68	2	4	22	160	12,5	25	109 209	109 259	-
	40	195	38	145	88	3	4	26	200	20,5	40	109 210	109 260	-
	50	210	42	160	102	3	8	26	230	26,4	50	109 211	109 261	-
	10	125	28	85	40	2	4	18	210	6,0	10	109 262	109 267	-
	15	145	30	100	45	2	4	22	210	9,0	15	109 263	109 268	-
PN 400	25	180	38	130	68	2	4	26	230	17,4	25	109 264	109 269	-
	40	220	48	165	88	3	4	30	260	31,9	40	109 265	109 270	-
	50	235	52	180	102	3	8	30	300	38,9	50	109 266	109 271	-

2-way ball valves with flange connection

Steel and stainless steel · DIN · DN 15 - DN 200



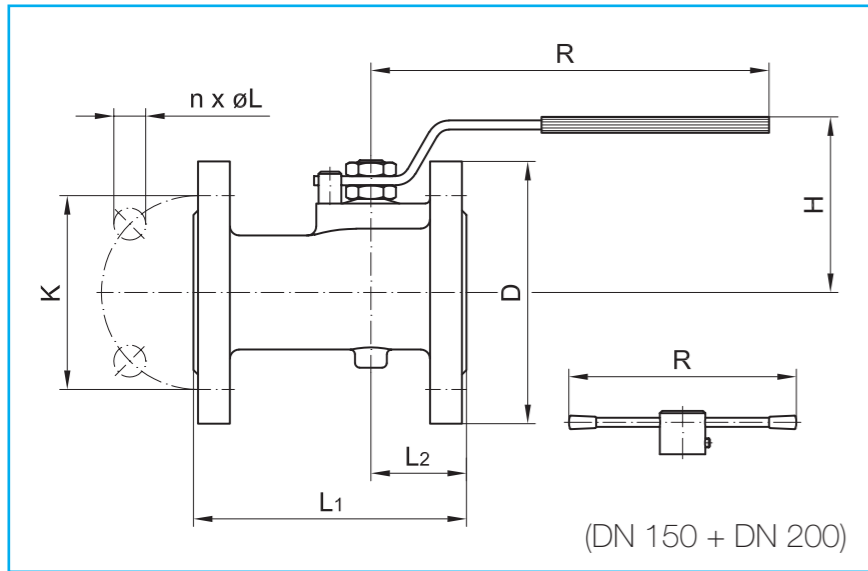
Flange-connecting dimension: DIN EN 1092-2 (DIN 2501-1)
 Overall length: DIN EN 558 basic range 27 (DIN 3202-1-F4/F5)
 1) without porting pattern DIN EN ISO 5211
 2) design with inspection certificate according to DIN EN 10204
 3) deviating from the standard PN 40
 All dimensions subject to change without notice
 Dimensions in mm
 Weight in kg
 Pressure in bar

Body:	GGG	GS	stainless steel	stainless steel
Ball:	stainless steel	stainless steel	stainless steel	stainless steel
Stem:	stainless steel	stainless steel	stainless steel	stainless steel
Ball seals:	PTFE	PTFE	PTFE	PTFE
Stem seals:	FKM	PTFE	PTFE	PTFE

Connection	DN	D	C	K	Number n	ØL	Lk	*Porting pattern DIN EN ISO 5211	DN	Article-No. ¹⁾ Weight		Article-No. Weight		Article-No. ²⁾ Weight			
										Article-No.	Weight	Article-No.	Weight	Article-No.	Weight		
PN 10	15	95	16 ³⁾	65	4	14	115	F 05	15	-	105 271	3,9	105 071	3,0	105 215	3,9	
	20	105	18 ³⁾	75	4	14	120	F 05	20	-	105 272	4,4	105 072	3,6	105 216	4,4	
	25	115	18 ³⁾	85	4	14	125	F 05	25	105 260	3,8	105 273	4,6	105 073	4,5	105 217	4,6
	32	140	18 ³⁾	100	4	18	130	F 05	32	105 261	5,7	105 274	6,4	105 074	6,1	105 218	6,4
	40	150	18 ³⁾	110	4	18	140	F 07	40	105 262	6,7	105 275	8,5	105 075	8,2	105 219	8,5
	50	165	20 ³⁾	125	4	18	150	F 07	50	105 263	9,1	105 276	12,8	105 076	10,7	105 220	12,8
	65	185	18	145	4	18	170	F 10	65	105 264	15,5	105 277	19,0	105 077	13,5	105 221	19,0
	80	200	20	160	8	18	180	F 10	80	105 265	19,8	105 278	25,0	105 078	21,0	105 222	25,0
	100	220	20	180	8	18	190	F 10	100	105 266	27,5	105 279	30,0	105 079	28,6	105 223	30,0
	125	250	22	210	8	18	325	F 12	125	105 267	53,0	105 280	67,0	-	105 224	67,0	
	150	285	22	240	8	22	350	F 12	150	105 268	68,0	105 281	100,0	-	105 225	100,0	
	200	340	24	295	8	22	400	F 12	200	105 269	140,0	105 282	161,0	-	105 226	161,0	
	PN 16	15	95	16 ³⁾	65	4	14	115	F 05	15	-	105 271	3,9	105 071	3,0	105 215	3,9
20		105	18 ³⁾	75	4	14	120	F 05	20	-	105 272	4,4	105 072	3,6	105 216	4,4	
25		115	18 ³⁾	85	4	14	125	F 05	25	105 260	3,8	105 273	4,6	105 073	4,5	105 217	4,6
32		140	18 ³⁾	100	4	18	130	F 05	32	105 261	5,7	105 274	6,4	105 074	6,1	105 218	6,4
40		150	18 ³⁾	110	4	18	140	F 07	40	105 262	6,7	105 275	8,5	105 075	8,2	105 219	8,5
50		165	20 ³⁾	125	4	18	150	F 07	50	105 263	9,1	105 276	12,8	105 076	10,7	105 220	12,8
65		185	18	145	4	18	170	F 10	65	105 264	15,5	105 277	19,0	105 077	13,5	105 221	19,0
80		200	20	160	8	18	180	F 10	80	105 265	19,8	105 278	25,0	105 078	21,0	105 222	25,0
100		220	20	180	8	18	190	F 10	100	105 266	27,5	105 279	30,0	105 079	28,6	105 223	30,0
125		250	22	210	8	18	325	F 12	125	105 267	53,0	105 280	67,0	-	105 224	67,0	
150		285	22	240	8	22	350	F 12	150	105 268	68,0	105 281	100,0	-	105 225	100,0	
200		340	24	295	12	22	400	F 12	200	105 270	140,0	105 283	161,0	-	105 226	161,0	
PN 25 PN 40		15	95	16	65	4	14	115	F 05	15	-	105 284	3,9	105 084	3,0	105 230	3,9
	20	105	18	75	4	14	120	F 05	20	-	105 285	4,4	105 085	3,6	105 231	4,4	
	25	115	18	85	4	14	125	F 05	25	-	105 286	4,6	105 086	4,5	105 232	4,6	
	32	140	18	100	4	18	130	F 05	32	-	105 287	6,4	105 087	6,1	105 233	6,4	
	40	150	18	110	4	18	140	F 07	40	-	105 288	8,5	105 088	8,2	105 234	8,5	
	50	165	20	125	4	18	150	F 07	50	-	105 289	12,8	105 089	10,7	105 235	12,8	
	65	185	22	145	8	18	170	F 10	65	-	105 290	20,0	105 090	14,5	105 236	20,0	
	80	200	24	160	8	18	180	F 10	80	-	105 291	25,0	105 091	22,6	105 237	25,0	
	100	235	24	190	8	22	190	F 10	100	-	105 292	33,5	105 092	30,8	105 238	33,5	
	125	270	26	220	8	26	325	F 12	125	-	105 293	72,0	-	105 239	72,0		
	150	300	28	250	8	26	350	F 12	150	-	105 294	106,0	-	105 240	106,0		

2-way ball valves with flange connection

Grey cast iron · sim. to DIN · DN 25 - DN 200



Overall length: DN 25 - DN 150: DIN EN 558 basic range 14 (DIN 3202-1-F4)

Overall length: DN 200: DIN EN 558 basic range 15 (DIN 3262-1-F5)

All dimensions subject to change without notice

Dimensions in mm

Weight in kg

Pressure in bar

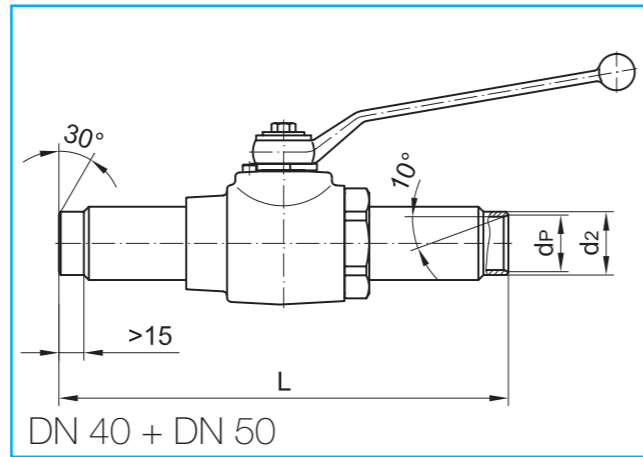
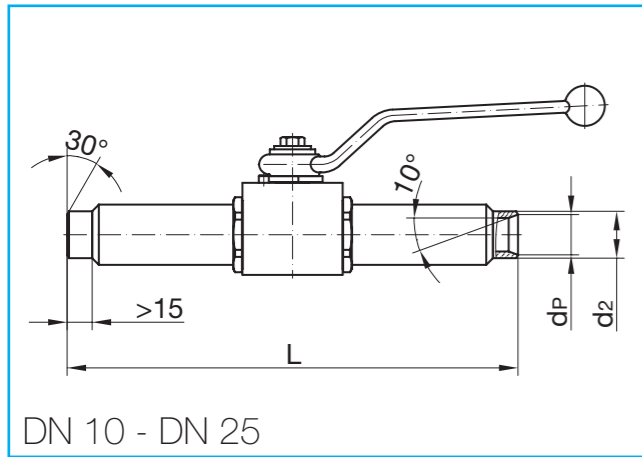
Body:	GG
Ball:	brass
Stem:	steel
Ball seals:	PTFE
Stem seals:	NBR

Connection	DN	D	K	Number n	ØL	L1	L2	H	R	Weight	DN	Article-No.
PN 10	25	115	85	4	M12	125	44,5	79	174	3,1	25	105 050
	32	140	100	4	M16	130	51,5	85	174	4,8	32	105 051
	40	150	110	4	M16	140	49,0	103	250	6,1	40	105 052
	50	165	125	4	M16	150	52,0	110	250	7,8	50	105 053
	65	185	145	4	M16	170	65,0	126	321	11,4	65	105 054
	80	200	160	8	M16	180	66,0	137	321	14,1	80	105 055
	100	220	180	8	M16	190	89,0	158	381	20,0	100	105 056
	125	250	210	8	M16	200	100,0	180	381	30,4	125	105 057
	150	285	240	8	M20	210	105,0	265	700	44,5	150	105 058
	200	340	295	8	Ø22	400	200,0	308	700	103,0	200	105 059
PN 16	25	115	85	4	M12	125	44,5	79	174	3,1	25	105 050
	32	140	100	4	M16	130	51,5	85	174	4,8	32	105 051
	40	150	110	4	M16	140	49,0	103	250	6,1	40	105 052
	50	165	125	4	M16	150	52,0	110	250	7,8	50	105 053
	65	185	145	4	M16	170	65,0	126	321	11,4	65	105 054
	80	200	160	8	M16	180	66,0	137	321	14,1	80	105 055
	100	220	180	8	M16	190	89,0	158	381	20,0	100	105 056
	125	250	210	8	M16	200	100,0	180	381	30,4	125	105 057
	150	285	240	8	M20	210	105,0	265	700	44,5	150	105 058
	200	340	295	12	Ø22	400	200,0	308	700	103,0	200	105 069



2-way ball valves with welding end

Steel · DN 10 - DN 50



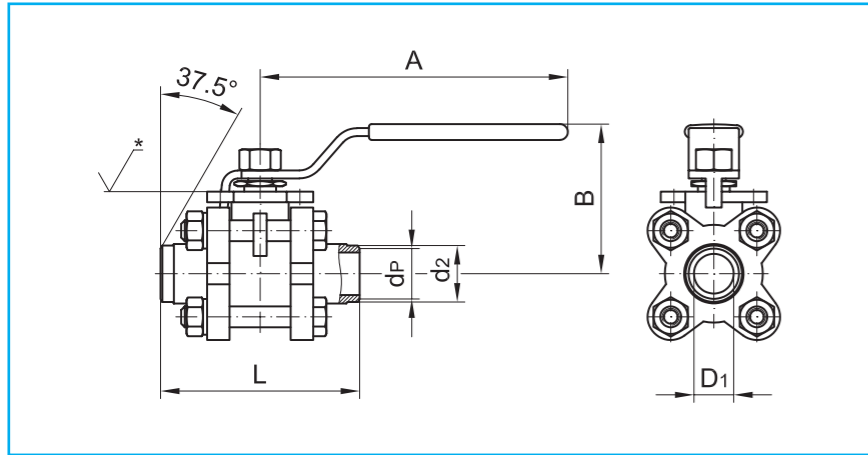
Welding ends : DIN EN 12627 (DIN 3239-1)
 Overall length : DIN EN 12982 basic range 68 (DIN 3202-2-S10)
 For dimensions of the ball valves refer to respective chapter "2-way ball valves".
 Custom orders on request
 All dimensions subject to change without notice
 Dimensions in mm
 Weight in kg
 Pressure in bar

Body:	steel, black oxide	steel, black oxide	steel, black oxide
Ball:	steel, hard chrome plated	steel, hard chrome plated	steel, hard chrome plated
Stem:	steel, zinc plated	steel, zinc plated	steel, zinc plated
Ball seals:	POM	POM	PTFE-Comp.3
Stem seals:	NBR	FKM	FKM

Connection	DN	d2	dP	L	Weight	DN	Article-No.	Article-No.	Article-No.
PN 40	10	18	13,0	270	1,00	10	109 300	109 306	109 312
	15	22	17,0	270	2,05	15	109 301	109 307	109 313
	20	28	22,0	270	2,75	20	109 302	109 308	109 314
	25	34	28,5	270	3,85	25	109 303	109 309	109 315
	40	49	43,0	270	6,50	40	109 304	109 310	109 316
	50	61	54,0	300	9,55	50	109 305	109 311	109 317
PN 63 PN 100	10	18	13,0	270	1,00	10	109 300	109 306	109 312
	15	22	17,0	270	2,05	15	109 301	109 307	109 313
	25	34	28,5	270	3,85	25	109 303	109 309	109 315
	40	49	43,0	270	6,50	40	109 304	109 310	109 316
	50	61	54,0	300	9,55	50	109 305	109 311	109 317
PN 160	10	18	13,0	270	1,00	10	109 300	109 306	109 312
	15	22	17,0	270	2,05	15	109 301	109 307	109 313
	25	34	27,0	270	3,85	25	109 318	109 321	109 324
	40	49	41,0	270	6,50	40	109 319	109 322	-
	50	61	52,5	300	9,55	50	109 320	109 323	-
PN 250	10	18	12,0	270	1,00	10	109 325	109 330	109 335
	15	22	16,0	270	2,05	15	109 326	109 331	109 336
	25	35	26,5	270	3,85	25	109 327	109 332	109 337
	40	49	38,5	270	6,50	40	109 328	109 333	-
	50	61	45,0	300	9,55	50	109 329	109 334	-
PN 320	10	18	12,0	270	1,00	10	109 325	109 330	109 335
	15	22	15,0	270	2,05	15	109 338	109 342	109 346
	25	35	24,0	270	3,85	25	109 339	109 343	-
	40	49	36,0	270	6,50	40	109 340	109 344	-
	50	77	59,5	300	9,55	50	109 341	109 345	-
PN 400	10	18	10,0	270	1,00	10	109 347	109 352	-
	15	28	17,0	270	2,05	15	109 348	109 353	-
	25	44	29,0	270	3,85	25	109 349	109 354	-
	40	61	40,0	270	6,50	40	109 350	109 355	-
	50	77	49,5	300	9,55	50	109 351	109 356	-

2-way ball valves with welding end

Stainless steel · with removable centre · DN 10 - DN 50



Handle included in delivery
 Welding ends: DIN EN 12627 (DIN 3239-1)
 Overall length: DIN EN 12982 basic range 67 (DIN 3202-2-S13)
 All dimensions subject to change without notice
 Dimensions in mm
 Weight in kg
 Pressure in bar

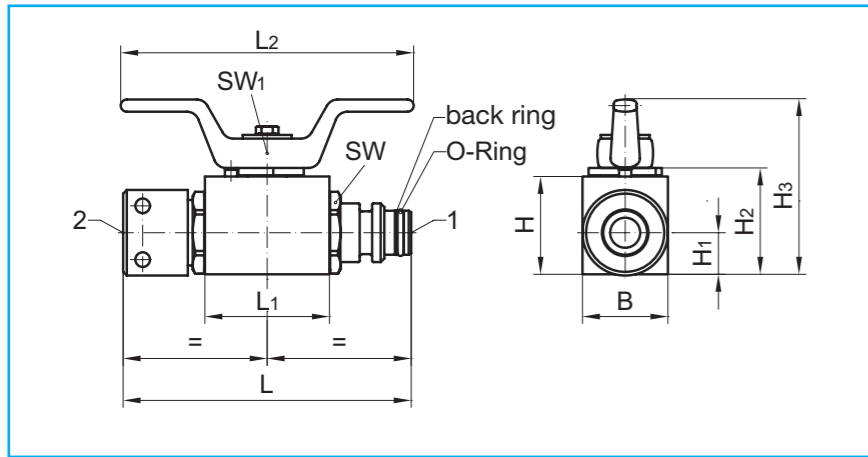
Body:	stainless steel
Ball:	stainless steel
Stem:	stainless steel
Ball seals:	PTFE
Stem seals:	PTFE

Connection	DN	D1	d2	dp	L	A	B	*Porting pattern DIN EN ISO 5211	Weight	DN	Article-No.
PN 40	50	49,0	60,3	56,5	150	191	104	F05	3,60	50	109 363
PN 63	10	12,7	17,2	15,0	70	105	51	F04	0,45	10	109 357
	15	15,0	21,3	19,0	75	105	61	F04	0,60	15	109 358
	20	20,0	26,9	23,0	90	125	66	F04	0,65	20	109 359
	25	25,0	33,7	30,0	100	152	78	F04	1,20	25	109 360
	32	32,0	42,4	39,0	110	152	82	F04	1,75	32	109 361
	40	38,0	48,3	45,0	125	191	95	F05	2,45	40	109 362



2-way ball valves with staple lock connector

Steel · DN 6 - DN 25



Handle, o-ring and back-ring included in delivery
 Actuators and custom orders on request
 All dimensions subject to change without notice
 Dimensions in mm
 Weight in kg
 Pressure in bar

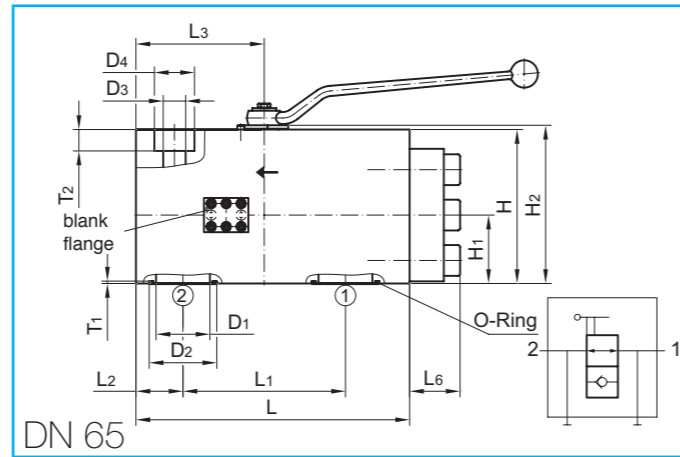
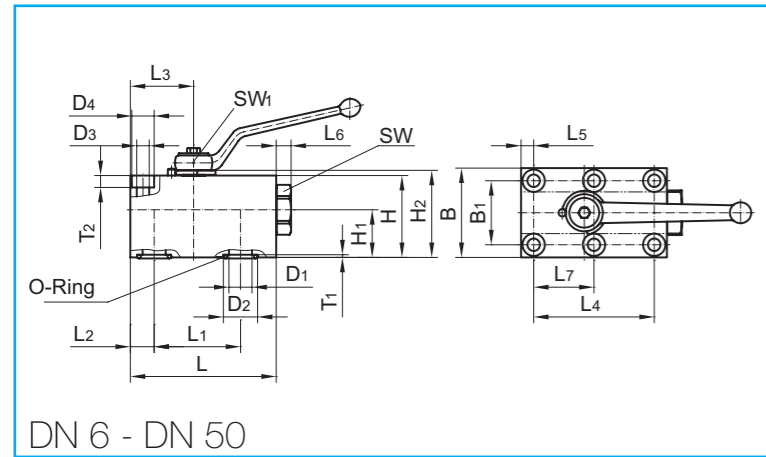
Body:	steel, zinc plated
Ball:	steel, hard chrome plated
Stem:	steel, zinc plated
Ball seals:	POM
Stem seals:	NBR

Connection	DN	L	L1	L2	B	H	H1	H2	H3	SW	SW1	Weight	DN	O-Ring	PN	Article-No.
Staple lock female/ male connector DIN 20043-2 DIN 20043-1	6	102	36	80	20	25	10,0	27,5	45,5	19	7	0,35	6	6 x 2,0	500	103 011
	10	114	45	105	30	35	14,5	38,5	62,5	24	8	0,55	10	10 x 2,0	500	103 012
	12	118	51	120	35	40	17,0	43,5	71,5	30	10	0,75	12	13 x 2,5	500	103 013
	19	130	60	200	45	55	24,0	59,0	99,0	41	14	1,50	19	19 x 2,5	400	103 014
	25	152	70	200	55	60	26,0	64,0	104,0	50	14	2,30	25	25 x 2,5	400	103 015
female x female connector DIN 20043-2	6	102	36	80	20	25	10,0	27,5	45,5	19	7	0,40	6	-	500	103 021
	10	114	45	105	30	35	14,5	38,5	62,5	24	8	0,60	10	-	500	103 022
	12	118	51	120	35	40	17,0	43,5	71,5	30	10	0,80	12	-	500	103 023
	19	130	60	200	45	55	24,0	59,0	99,0	41	14	1,60	19	-	400	103 024
	25	152	70	200	55	60	26,0	64,0	104,0	50	14	2,40	25	-	400	103 025
male x male connector DIN 20043-1	6	102	36	80	20	25	10,0	27,5	45,5	19	7	0,30	6	6 x 2,0	500	103 031
	10	114	45	105	30	35	14,5	38,5	62,5	24	8	0,50	10	10 x 2,0	500	103 032
	12	118	51	120	35	40	17,0	43,5	71,5	30	10	0,70	12	13 x 2,5	500	103 033
	19	130	60	200	45	55	24,0	59,0	99,0	41	14	1,40	19	19 x 2,5	400	103 034
	25	152	70	200	55	60	26,0	64,0	104,0	50	14	2,20	25	25 x 2,5	400	103 035



2-way ball valves for manifold mounting

Steel · DN 6 - DN 65



Handle and o-rings included in delivery
 For handle refer to "Attachments, accessories"
 Custom orders on request
 All dimensions subject to change without notice
 *) DN 32 to DN 50: grey cast iron
 Dimensions in mm
 Weight in kg
 Pressure in bar

**Bypass-ball valve instead of blank flange retrofittable,
 also deliverable completely assembled with bypass-ball valve**

Body*:	steel, black oxide	steel, black oxide
Ball:	steel, hard chrome plated	steel, hard chrome plated
Stem:	steel, zinc plated	steel, zinc plated
Body seals:	NBR	FKM
Ball seals:	POM	POM
Stem seals:	NBR	FKM

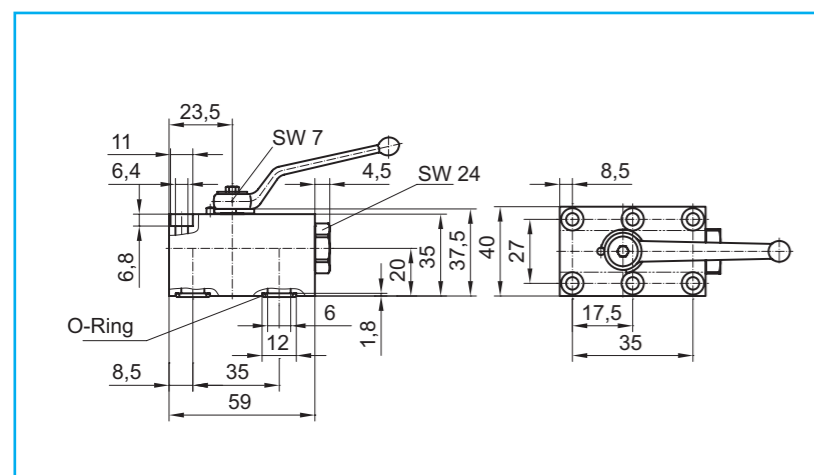
Connection	DN	L	L1	L2	L3	L4	L5	L6	L7	B	B1	H	H1	H2	T1	T2
Body-Flange with O-ring-seal	6	59	35	8,5	23,5	35	8,5	4,5	17,5	40	27	35	20,0	37,5	1,8	6,8
	10	73	44	10,0	29,0	55	7,5	7,0	27,5	55	40	45	24,5	48,5	1,8	8,0
	12	98	58	16,0	42,5	83	7,5	10,0	41,5	60	45	55	32,0	58,5	1,8	8,0
	20	117	69	20,0	52,0	97	10,0	12,0	48,5	70	51	70	39,0	74,0	2,7	11,0
	25	138	81	24,0	62,0	115	10,0	7,0	57,5	80	60	80	46,0	84,0	2,7	11,0
	32	165	96	29,0	75,0	136	12,0	11,0	68,0	100	78	100	56,6	104,5	2,7	12,0
	40	175	112	28,5	84,5	112	28,5	25,0	56,0	130	95	100	52,6	104,5	2,7	17,5
	50	215	136	38,0	106,0	136	38,0	25,0	68,0	150	112	110	55,1	114,5	2,7	20,0
	65	320	190	55,0	150,0	210	45,0	59,0	105,0	235	185	180	80,0	185,0	2,8	25,5

DN	D1	D2	D3	D4	SW	SW1	Handle Code	Weight	For cylinder-head screw DIN EN ISO 4762 (DIN 912)
6	6,0	12,0	6,4	11	24	7	12	0,58	M6 - 10,9
10	9,5	15,0	8,4	-	32	8	13	1,17	M8 - 10,9
12	12,5	25,0	8,4	-	36	10	14	2,25	M8 - 12,9
20	20,0	30,0	10,5	17	-	14	15	4,00	M10 - 12,9
25	24,0	35,0	10,5	17	50	14	15	5,82	M10 - 12,9
32	32,0	40,0	13,0	19	70	17	21	10,97	M12 - 12,9
40	38,0	48,5	17,0	26	-	17	21	15,25	M16 - 12,9
50	48,0	55,5	21,0	33	-	17	22	23,20	M20 - 12,9
65	62,0	79,0	26,0	40	-	17	22	101,50	M24 - 12,9

PN	Article-No.	PN	Article-No.
500	106 021	500	106 031
500	106 022	500	106 032
500	106 023	500	106 033
400	106 024	400	106 034
400	106 025	400	106 035
400	106 026	400	106 036
400	106 027	400	106 037
400	106 028	400	106 038
400	106 041	400	106 042

DN	D1	E1	E2	E3	E4	E5	E6	E7	E8	M	O-Ring
6	6,0	35	35,0	50,5	0,0	8,5	13,5	20,0	17,5	M6	7,50 x 2,50
10	9,5	44	52,5	63,0	2,5	10,0	20,0	27,5	25,0	M8	10,50 x 2,50
12	15,5	58	74,5	82,0	8,5	16,0	22,5	30,0	33,0	M8	20,50 x 2,50
20	20,0	69	87,0	97,0	10,0	20,0	25,5	35,0	38,5	M10	23,50 x 3,50
25	24,0	81	101,0	114,0	14,0	24,0	30,0	40,0	43,5	M10	28,50 x 3,50
32	32,0	96	119,0	136,0	17,0	29,0	39,0	50,0	51,0	M12	33,50 x 3,50
40	38,0	112	146,5	177,0	0,0	38,0	47,5	65,0	68,0	M16	42,00 x 3,50
50	48,0	136	177,0	210,0	0,0	45,0	56,0	80,0	84,0	M20	49,00 x 3,50
65	62,0	190	245,0	285,0	10,0	55,0	92,5	117,5	122,5	M24	72,66 x 3,53

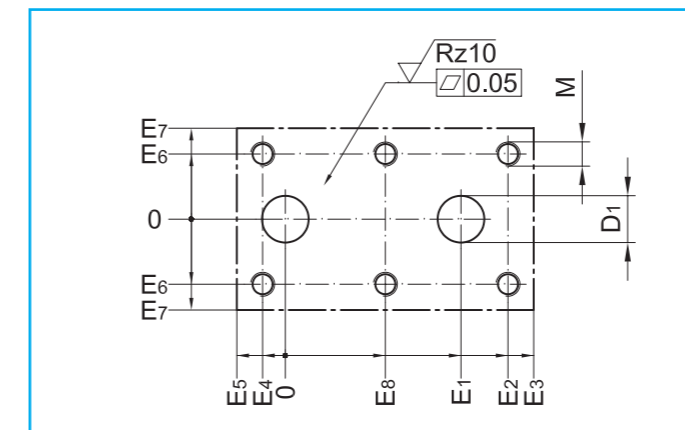
Bypass-ball valve for DN 65



DN	Handle Code	Weight	O-Ring
65	12	0,58	7,50 x 2,50

Bolts included in delivery

Drilling pattern

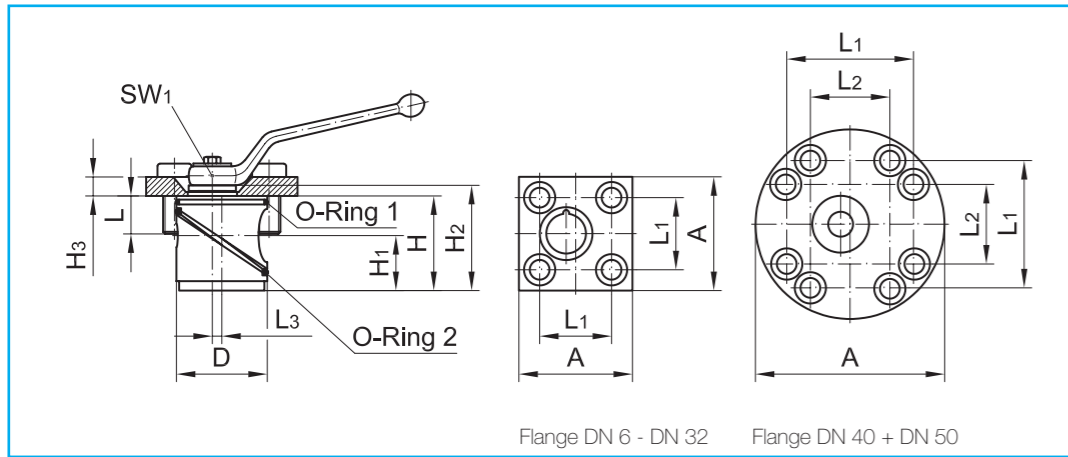


Article-No.
106 040



2-way ball valves for manifold insertion as cartridge type

Steel · DN 6 - DN 50



Handle and attachment screws included in delivery

For handle refer to "Attachments, accessories"

Actuators and custom orders on request

All dimensions subject to change without notice

Dimensions in mm

Weight in kg

Pressure in bar

Body:	steel, black oxide	steel, black oxide
Ball:	steel, hard chrome plated	steel, hard chrome plated
Stem:	steel, zinc plated	steel, zinc plated
Body seals:	NBR	FKM
Ball seals:	POM	POM
Stem seals:	NBR	FKM

Connection	DN	D	H	H ₁	H ₂	H ₃	L	L ₁	L ₂	L ₃	SW ₁	A	Handle Code	DN	O-Ring 1	O-Ring 2	Weight	Cylinder-head screws DIN EN ISO 4762 (DIN 912)	PN		Article-No.	
																			PN	Article-No.	PN	Article-No.
Cavity	6	36	34,6	21,0	40,5	8	20	38	-	5,0	7	60	12	6	31,00 x 1,50	32,00 x 3,00	0,55	M10 x 25-8.8	500	107 001	500	107 021
	10	45	45,4	27,0	50,0	10	20	50	-	5,0	8	80	13	10	40,00 x 2,00	42,00 x 3,00	1,10	M12 x 25-8.8	500	107 002	500	107 022
	12	48	49,9	29,0	56,5	10	20	50	-	5,0	10	80	14	12	43,00 x 2,00	46,00 x 3,00	1,25	M12 x 25-8.8	400	107 003	400	107 023
	16	54	53,9	31,0	59,5	10	20	60	-	5,5	10	90	14	16	49,00 x 2,00	50,39 x 3,53	1,55	M12 x 25-8.8	315	107 009	315	107 029
	20	63	64,9	36,0	74,5	18	25	70	-	7,0	14	100	15	20	55,20 x 3,00	61,00 x 3,50	2,95	M16 x 35-8.8	315	107 004	315	107 024
	25	70	70,9	39,0	81,0	18	25	70	-	7,0	14	100	15	25	63,00 x 3,00	67,00 x 4,00	3,35	M16 x 35-8.8	315	107 005	315	107 025
	32	92	90,0	47,5	122,5	35	30	100	-	10,0	17	140	21	32	82,14 x 3,53	92,00 x 5,00	9,10	M20 x 50-8.8	315	107 006	315	107 026
	40	107	106,0	56,0	140,5	35	30	134	84	10,0	17	200	21	40	98,02 x 3,53	108,00 x 6,00	14,65	M20 x 50-8.8	315	107 007	315	107 027
	50	126	120,0	63,0	155,0	35	30	152	96	11,5	17	230	22	50	117,07 x 3,53	124,00 x 6,00	20,60	M20 x 50-8.8	315	107 008	315	107 028

General tolerances DIN ISO 2768 Surfaces DIN EN ISO 4287	DN	D H9	D ₁ max.	D ₂	L ₁ ±0,2	L ₂ ±0,2	T +0,1	T ₁ +0,2	T ₂ +0,1	T ₃ min.	Mounting-tool	
											DN	Article-No.
	6	36	31	M10	38	-	34,7	33	13,6	22	6	107 051
	10	45	39	M12	50	-	45,5	41	18,4	22	10	107 052
	12	48	42	M12	50	-	50,0	45	20,9	22	12	107 053
	16	54	47	M12	60	-	54,0	49	22,9	22	16	107 054
	20	63	55	M16	70	-	65,0	61	28,9	28	20	107 055
	25	70	62	M16	70	-	71,0	66	31,9	28	25	107 056
	32	92	80	M20	100	-	90,0	86	42,5	33	32	107 057
	40	107	95	M20	134	84	106,0	101	50,0	33	40	107 058
	50	126	115	M20	152	96	120,0	115	57,0	33	50	107 059

Drilling pattern

